



An AGA Company



USER GUIDE & INSTALLATION INSTRUCTIONS

Professional+100 FX Dual Fuel

Australia

Contents

1. Before You Start...	1	6. Troubleshooting	19
Important!	1	7. Installation	21
Installation and Maintenance	1	Service and Spares	21
Peculiar Smells	1	Dear Installer	22
If you smell gas	1	Provision of Ventilation	22
Ventilation	1	Location of Cooker	22
Personal Safety	1	Conversion	22
Cooker Care	2	Positioning the Cooker	24
Cleaning	2	Moving the Cooker	24
2. Cooker Overview	3	Completing the Move	25
Hotplate Burners	3	Levelling the Cooker	25
Wok Burner	4	Fitting the Stability Bracket and Chain	25
The Wok Cradle	4	Gas Connection	26
The Griddle	5	Pressure Testing	26
The Multifunction Ovens	6	Electrical Connection	27
The Ovens	8	Final Checks	28
The Clock	8	Fitting the Plinth	28
Accessories	11	Customer Care	28
Oven Lights	11	8. Conversion to Propane Gas	29
Storage	12	Conversion from Natural Gas (1.0 kPa) to LPG X Propane (2.54 kPa)	29
3. Cooking Tips	13	Injectors	29
Cooking with a Multifunction Oven	13	Tap Adjustment	29
Tips on Cooking with the Timer	13	Set the Governor	30
General Oven Tips	13	Pressure Testing	30
4. Cooking Table	14	Affix Label	30
5. Cleaning Your Cooker	15	9. Servicing	31
Essential Information	15	Panels	31
Hotplate Burners	15	Hotplate	31
The Wok Cradle	15	Control Panel	32
The Griddle	15	Ovens	33
Control Panel and Doors	16	Doors	36
Removing the Right-hand Oven Cover Plate and Reflector Tray	17	10. Circuit Diagram	37
Cleaning Table	18	11. Technical Data	38

1. Before You Start...

Your cooker should give you many years of trouble-free cooking if installed and operated correctly. It is important that you read this section before you start, particularly if you have not used a dual fuel cooker before.

Important!

⚠ This appliance is designed for domestic cooking only. Using it for any other purpose could invalidate any warranty or liability claim. In particular, the oven should NOT be used for heating the kitchen – besides invalidating claims this wastes fuel and may overheat the control knobs.

Installation and Maintenance

The installation must be in accordance with the relevant instructions in this booklet, with the relevant national and local regulations, and with the local gas and electricity supply companies' requirements.

Make sure that the gas supply is turned on and that the cooker is wired in and switched on (the cooker needs electricity).

Set the clock to make sure that the oven is functional – see the relevant section in this manual.

The cooker should be serviced only by a qualified service engineer, and only approved spare parts should be used.

Always allow the cooker to cool and then switch it off at the mains before cleaning or carrying out any maintenance work, unless specified otherwise in this guide.

Peculiar Smells

When you first use your cooker it may give off an odour. This should stop after use.

Before using for the first time, make sure that all packing materials have been removed and then, to dispel manufacturing odours, turn the ovens to 200 °C and run for at least an hour.

Make sure the room is well ventilated to the outside air (see 'Ventilation' below). People with respiratory or allergy problems should vacate the area for this brief period.

If you smell gas

- **DO NOT** turn electric switches on or off.
- **DO NOT** smoke
- **DO NOT** use naked flames
- **DO** turn off the gas at the meter or cylinder
- **DO** open doors and windows to get rid of the gas
- **DO** keep people away from the area affected
- Call your gas supplier.

Ventilation

The use of a gas cooking appliance results in the production of heat and moisture in the room in which it is installed. Therefore, ensure that the kitchen is well ventilated: keep natural ventilation holes open or install a powered cooker hood that vents outside. If you have several burners on, or use the cooker for a long time, open a window or turn on an extractor fan.

Personal Safety

- ⚠ **Do not modify this appliance.**
 - ⚠ **This appliance can be used by children aged from 8 years and above and persons with reduced physical, sensory or mental capabilities or lack of experience and knowledge if they have been given supervision or instruction concerning use of the appliance in a safe way and understand the hazards involved. Children shall not play with the appliance. Cleaning and user maintenance shall not be made by children without supervision.**
 - ⚠ **This appliance is not intended for use by young children or infirm persons unless they have been adequately supervised by a responsible person to make sure that they can use the appliance safely.**
 - ⚠ **CAUTION: A long term cooking process has to be supervised from time to time. A short term cooking process has to be supervised continuously.**
 - ⚠ **Danger of fire: DO NOT store items on the cooking surfaces.**
 - ⚠ **To avoid overheating, DO NOT install the cooker behind a decorative door.**
 - ⚠ **WARNING: The appliance and its accessible parts become hot during use and will retain heat even after you have stopped cooking. Care should be taken to avoid touching heating elements. Children less than 8 years of age shall be kept away unless continuously supervised.**
 - ⚠ **DO NOT use a steam cleaner on your cooker.**
 - ⚠ **Accessible parts will become hot during use and will retain heat even after you have stopped cooking. Keep babies and children away from the cooker and never wear loose-fitting or hanging clothes when using the appliance.**
- Always be certain that the controls are in the OFF position when the oven is not in use, and before attempting to clean the cooker.
- ⚠ **When the ovens are on, DO NOT open oven doors for longer than necessary to insert and remove contents. The control knobs will become hot and may cause cosmetic failure.**

- ⚠ DO NOT use harsh abrasive cleaners or sharp metal scrapers to clean the oven door glass since they can scratch the surface, which may result in shattering of the glass.**

Always keep combustible materials, e.g. curtains, and flammable liquids a safe distance away from your cooker.

- ⚠ Never store flammable materials in the drawer. This includes paper, plastic and cloth items, such as cookbooks, plastic ware and towels, as well as flammable liquids. Do not store explosives, such as aerosol cans, on or near the appliance.**

- ⚠ DO NOT spray aerosols in the vicinity of the cooker while it is on.**

Use dry oven gloves when applicable – using damp gloves might result in steam burns when you touch a hot surface. Do not use a towel or other bulky cloth in place of a glove – it might catch fire if brought into contact with a hot surface.

- ⚠ NEVER operate the cooker with wet hands.**
- ⚠ DO NOT use aluminium foil to cover shelves, linings or the oven roof.**
- ⚠ DO NOT use hotplate protectors, foil or hotplate covers of any description. These may affect the safe use of your hotplate burners and are potentially hazardous to health.**
- ⚠ NEVER heat unopened food containers. Pressure build up may make the containers burst and cause injury.**
- ⚠ DO NOT use unstable saucepans. Always ensure that you position the handles away from the edge of the hotplate.**
- ⚠ DO NOT use cooking vessels on the hotplate that overlap the edges.**

Never leave the hotplate unattended at high heat settings. Pans boiling over can cause smoking, and greasy spills may catch on fire. Use a deep fat thermometer whenever possible to prevent fat overheating beyond the smoking point.

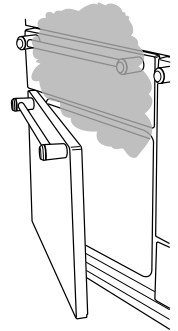
- ⚠ WARNING! Unattended cooking on a hob with fat or oil can be dangerous and may result in fire.**
- ⚠ NEVER leave a chip pan unattended. Always heat fat slowly, and watch as it heats. Deep fry pans should be only one third full of fat. Filling the pan too full of fat can cause spill over when food is added. If you use a combination of oils or fats in frying, stir them together before heating or as the fats melt.**

Foods for frying should be as dry as possible. Frost on frozen foods or moisture on fresh foods can cause hot fat to bubble up and over the sides of the pan. Carefully watch for spills or overheating of foods when frying at high or medium high temperatures. Never try to move a pan of hot fat, especially a deep fat fryer. Wait until the fat is cool.

- ⚠ DO NOT use the top of the flue (the slot along the back of the cooker) for warming plates, dishes, drying tea towels or softening butter.**

- ⚠ DO NOT use water on grease fires and never pick up a flaming pan. Turn the controls off and then smother a flaming pan on a surface unit by covering the pan completely with a well fitting lid or baking tray. If available, use a multipurpose dry chemical or foam-type fire extinguisher.**

Cooking high moisture content foods can create a 'steam burst' when the oven door is opened. When opening the oven stand well back and allow any steam to disperse.



Take care that no water seeps into the appliance.

- ⚠ This appliance is heavy so take care when moving it.**
- ⚠ The appliance is not intended to be operated by means of external timer or separated remote-control system.**

Cooker Care

As steam can condense to water droplets on the cool outer trim of the oven, it may be necessary during cooking to wipe away any moisture with a soft cloth. This will also help to prevent soiling and discolouration of the oven exterior by cooking vapours.

Cleaning

In the interests of hygiene and safety, the cooker should be kept clean at all times as a build up in fats and other food stuff could result in a fire.

Clean only the parts listed in this guide.

Clean with caution. If a wet sponge or cloth is used to wipe spills on a hot surface, be careful to avoid steam burns. Some cleansers can produce noxious fumes if applied to a hot surface.

2. Cooker Overview



Fig. 2.1

The 100 dual fuel cooker (**Fig. 2.1**) has the following features:

- A.** 5 hotplate burners including a wok burner
- B.** A control panel incorporating a timer
- C.** Main multifunction oven
- D.** Multifunction oven
- E.** Storage drawer

Hotplate Burners

The drawing by each of the control knobs indicates which burner that knob controls.

Each burner has a Flame Supervision Device (FSD) that prevents the flow of gas if the flame goes out.

When the control knob is pressed in, sparks will be made at every burner – this is normal. Do not attempt to disassemble or clean around any burner while another burner is on, otherwise an electric shock could result.

To light a burner, push in and turn the associated control knob to the high position as indicated by the large flame symbol (🔥), (**Fig. 2.2**).

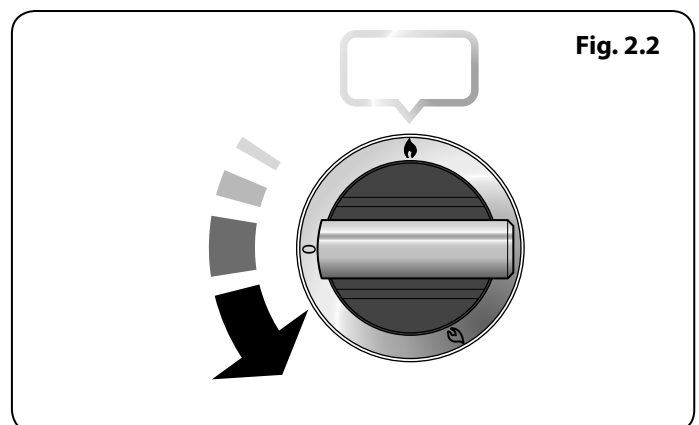
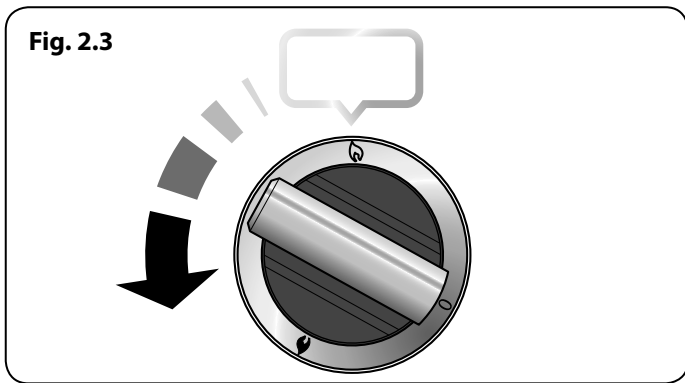


Fig. 2.2



The igniter should spark and light the gas. Keep holding the knob pressed in to let the gas through to the burner for about ten seconds.

If, when you let go of the control knob, the burner goes out, then the FSD has not been bypassed. Turn the control knob to the 'OFF' position and wait for one minute before you try again, this time making sure to hold in the control knob for slightly longer.

Adjust the flame height to suit by turning the knob counter-clockwise (**Fig. 2.3**). On this cooker the low position is beyond high, NOT between high and off.

If a burner flame goes out, turn off the control knob and leave it for one minute before relighting it.

Make sure that the flames are under the pans. Using a lid will help the contents boil more quickly (**Fig. 2.4**).

Large pans should be spaced well apart.

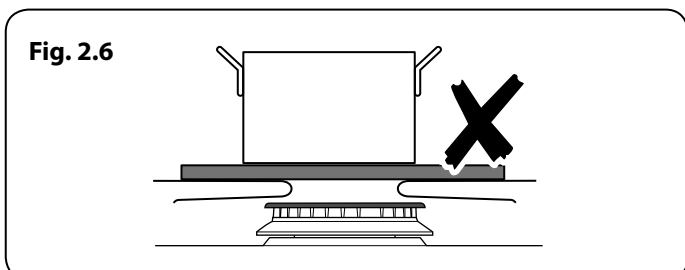
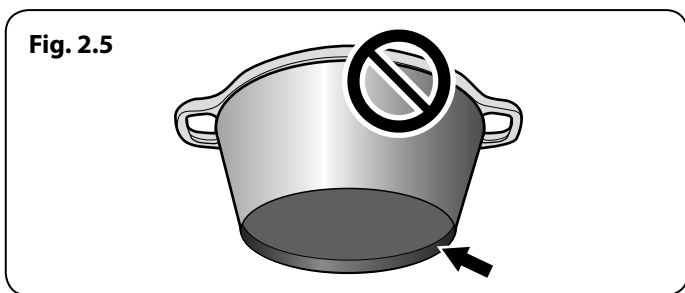
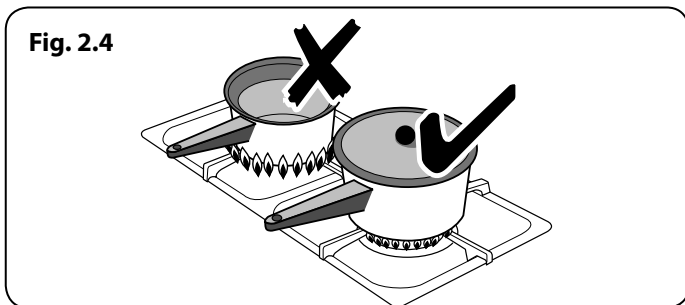
Pans and kettles with concave bases or down-turned base rims should not be used (**Fig. 2.5**).

Simmering aids, such as asbestos or mesh mats, are NOT recommended (**Fig. 2.6**). They will reduce burner performance and could damage the pan supports.

You should also avoid using unstable and misshapen pans that may tilt easily, and pans with a very small base diameter, e.g. milk pans, single egg poachers (**Fig. 2.7**).

The minimum recommended pan diameter is 120 mm. The maximum allowable pan base diameter is 260 mm.

DO NOT use cooking vessels on the hotplate that overlap the edges.



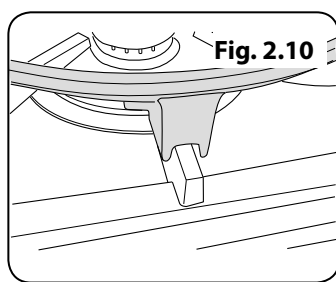
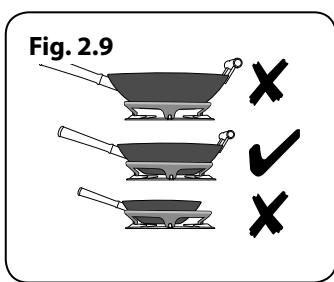
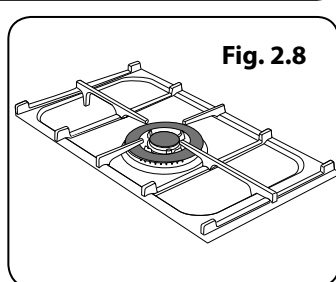
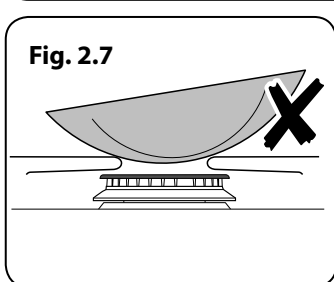
Wok Burner

The wok burner is designed to provide even heat over a large area. It is ideal for large pans and stir-frying (**Fig. 2.8**).

For heating smaller pans, the aforementioned hotplate burners may be more efficient.

You should wipe the enamel top surface of the cooker around the hotplate burners as soon as possible after spills occur. Try to wipe them off while the enamel is still warm.

Note: The use of aluminium pans may cause metallic marking of the pan supports. This does not affect the durability of the enamel and may be cleaned off with an appropriate metal cleaner.



The Wok Cradle

The wok cradle is designed to fit a 35 cm wok. If you use a different wok, make sure that it fits the cradle. Woks vary very widely in size and shape. It is important that the wok sits down on the pan support – however, if the wok is too small, the cradle will not support it properly (**Fig. 2.9**).

The cradle should be used on the wok burner only. When you fit the cradle, make sure that it is supported properly on a pan support and the wok is sitting level in the cradle (**Fig. 2.10**).

The cradle will get very hot in use – allow plenty of time for it to cool before you pick it up.

The Griddle

The griddle fits the left-hand pan support, front to back (**Fig. 2.11**). It is designed for cooking food on directly. DO NOT use pans of any kind on it. The griddle surface is non-stick and metal cooking utensils (e.g. spatulas) will damage the surface. Use heat resistant plastic or wooden utensils.

⚠ DO NOT put it crossways – it will not fit properly and will be unstable (Fig. 2.12).

⚠ DO NOT put it on any other burner – it is not designed to fit in any of the other pan supports.

Position the griddle over the hotplate burners resting on the pan support. Check that it is securely located.

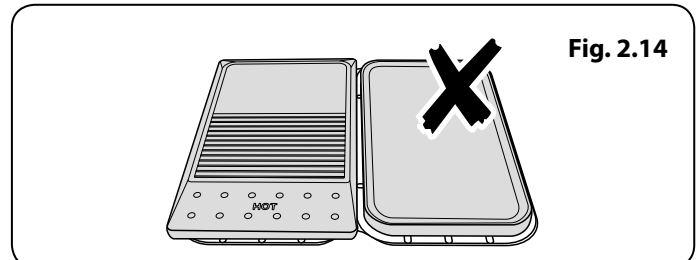
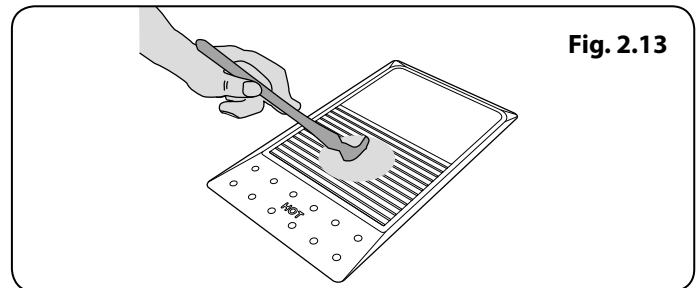
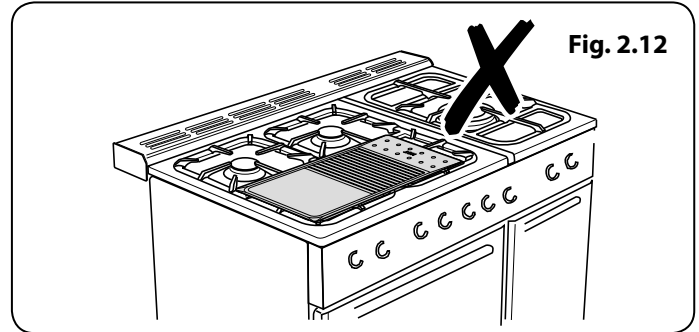
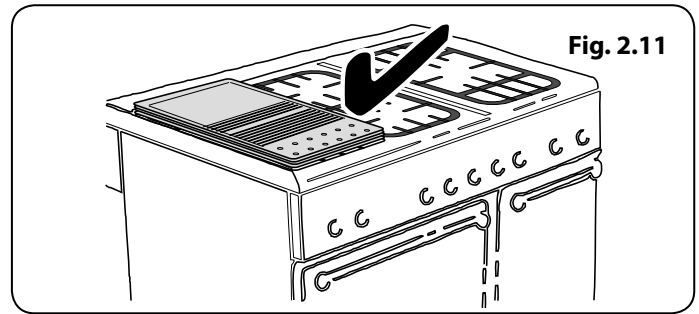
The griddle can be lightly brushed with cooking oil before use or alternatively brush oil onto the food to be cooked (**Fig. 2.13**). Light the hotplate burners. Adjust the flame heights to suit.

Preheat the griddle for **a maximum of 5 minutes** before adding food. Leaving it longer may cause damage. Turn the control knobs towards the low position, marked with the small flame symbol, to reduce the burner flames.

⚠ Always leave space around the griddle for the gases to escape.

⚠ NEVER fit two griddles side by side (Fig. 2.14).

After cooking, allow the griddle to cool before cleaning.



Function	Use
Defrost	To thaw small items in the oven without heat
Fan oven	A full cooking function, even heat throughout, great for baking
Fanned grilling	Grilling meat and fish with the door closed
Fan assisted	A full cooking function good for roasting and baking
Conventional oven	A full cooking function for roasting and baking in the lower half of the oven
Browning element	To brown and crisp cheese topped dishes
Base heat	To crisp up the bases of quiche, pizza or pastry

Table 2.1

Function	Use
Grilling	Grilling meat and fish with the door closed
Conventional oven	A full cooking function for roasting
Browning element	To brown and crisp cheese topped dishes
Base heat	To crisp up the bases of quiche, pizza or pastry

Table 2.2

The Multifunction Ovens

Both ovens are multifunction ovens. In addition to the element around the fan, it is fitted with extra heating elements, in the top of the oven and under the oven base. Take care to avoid touching the top elements when placing or removing items from the oven.

The left-hand multifunction oven has 3 main cooking functions: **fan**, **fan assisted** and **conventional cooking**. These functions should be used to complete most of your cooking.

The **browning element** and **base heat** can be used in the latter part of the cooking process to fine tune the results to your particular requirements.

Use **fanned grilling** for all your grilling needs and **defrost** to safely thaw small items of frozen food.

Table 2.1 gives a summary of the multi-function modes. The multi-function oven has many varied uses. We suggest you keep a careful eye on your cooking until you are familiar with each function. Remember, not all functions will be suitable for all food types.

Left-hand Multifunction Oven Modes

Defrost



This function operates the fan to circulate cold air only. Make sure the temperature control is at 0°C and that no heat is applied. This enables small items such as desserts, cream cakes and pieces of meat, fish and poultry to be defrosted.

Defrosting in this way speeds up the process and protects the food from contamination. Pieces of meat, fish and poultry should be placed on a shelf, over a tray to catch any drips. Be sure to wash the shelf and tray after defrosting.

Defrost with the oven door closed. Defrosting should not be carried out in a warm oven. Large items, such as whole chickens and meat roasts should not be defrosted in this way. We recommend this be carried out in a refrigerator. Make sure that dairy foods, meat and poultry are completely defrosted before cooking.

Fan Oven



This function operates the fan and the heating element around them. An even heat is produced throughout the oven, allowing you to cook large amounts quickly.

Fan oven cooking is particularly suitable for multi-shelf cooking and is a good 'all-round' function. It may be necessary to reduce the temperature by approximately 10°C for recipes previously cooked in a conventional oven.

If you wish to preheat the oven, wait until the indicator light has gone out before inserting the food.

Fanned Grilling



This function operates the fan while the top element is on. It produces a more even, less fierce heat than a conventional grill. For best results place the food to be grilled on the pan provided. Thick pieces of meat or fish are ideal for cooking in this way, as the circulated air reduces the fierceness of the heat from the grill. The oven door should be kept closed while cooking is in progress, so saving energy. You will also find that the food needs to be watched and turned less than for normal grilling. Preheat this function before cooking.

Note: When grilling full width, to allow sufficient access for tending foods we recommend placing the grill pan tray support on the second from top level.

Fan Assisted Oven



This function operates the fan, circulating air heated by the elements at the top and the base of the oven. The combination of fan and conventional cooking (Top and Base Heat) makes this function ideal for cooking large items that need thorough cooking, such as a large meat roast. It is also possible to bake on two shelves at one time, although they will need to be changed over during the cooking time, as the heat at the top of the oven is greater than at the base, when using this function.

This is a fast intensive form of cooking; keep an eye on the food cooking until you are familiar with this function.

Conventional Oven (Top and Base Heat)



This function combines the heat from the top and base elements. It is particularly suitable for roasting and baking pastry, cakes and biscuits.

Food cooked on the top shelf will brown and crisp faster than on the lower shelf, because the heat is greater at the top of the oven than at the base, as in 'Fan Assisted Oven' function. Similar items being cooked will need to be swapped around for even cooking. This means that foods requiring different temperatures can be cooked together, using the cooler zone in the lower half of the oven and hotter area to the top.

The exposed top element may cook some foods too quickly, so we recommend that the food be positioned in the lower half of the oven to cook. The oven temperature may also need to be lowered.

Browning Element



This function uses the element in the top of the oven only. It is a useful function for the browning or finishing of pasta dishes, vegetables in sauce and lasagne, the item to be browned being already hot before switching to the top element.

Base Heat



This function uses the base element only. It will crisp up your pizza or quiche base or finish off cooking the base of a pastry case on a lower shelf. It is also a gentle heat, good for slow cooking of casseroles in the middle of the oven or for plate warming.

The Browning and Base Heat functions are useful additions to your oven, giving you flexibility to finish off items to perfection. With use, you will soon realize how these functions can combine to extend your cooking skills.

Right-hand Multifunction Oven Modes

Table 2.2 gives a summary of the right-hand multi-function modes. The multi-function oven has many varied uses. We suggest you keep a careful eye on your cooking until you are familiar with each function. Remember, not all functions will be suitable for all food types.

Grilling



For best results place the food to be grilled on the pan provided. The oven door should be kept closed while cooking is in progress. Preheat this function before cooking. Place the pan on shelf level 4 or 5 depending on what is being cooked.

Conventional Oven (Top and Base Heat)



This function combines the heat from the top and base elements. It is particularly suitable for roasting and baking pastry, cakes and biscuits.

Food cooked on the top shelf will brown and crisp faster than on the lower shelf, because the heat is greater at the top of the oven than at the base. Similar items being cooked will need to be swapped around for even cooking. This means that foods requiring different temperatures can be cooked together, using the cooler zone in the lower half of the oven and hotter area to the top.

The exposed top element may cook some foods too quickly, so we recommend that the food be positioned in the lower half of the oven to cook. The oven temperature may also need to be lowered.

Browning Element



This function uses the element in the top of the oven only. It is a useful function for the browning or finishing of pasta dishes, vegetables in sauce and lasagne, the item to be browned being already hot before switching to the top element.

Base Heat



This function uses the base element only. It will crisp up your pizza or quiche base or finish off cooking the base of a pastry case on a lower shelf. It is also a gentle heat, good for slow cooking of casseroles in the middle of the oven or for plate warming.

The Browning and Base Heat functions are useful additions to your oven, giving you flexibility to finish off items to perfection. With use, you will soon realize how these functions can combine to extend your cooking skills.

Fig. 2.15

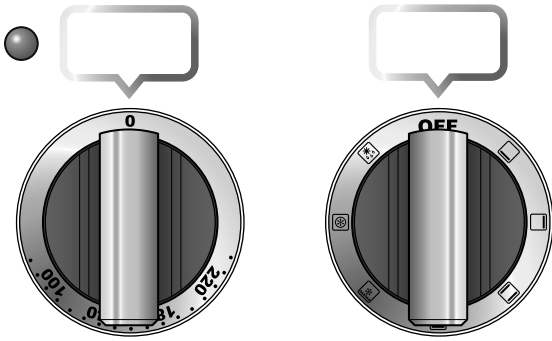


Fig. 2.16

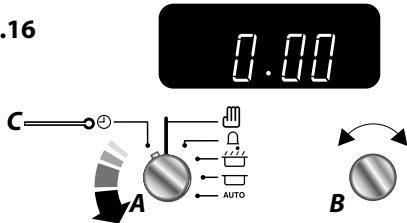


Fig. 2.17

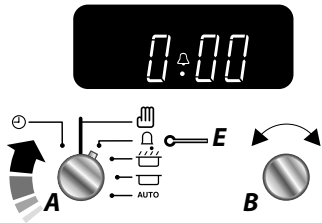


Fig. 2.18

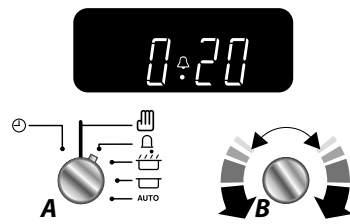


Fig. 2.19

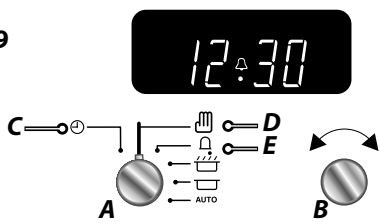
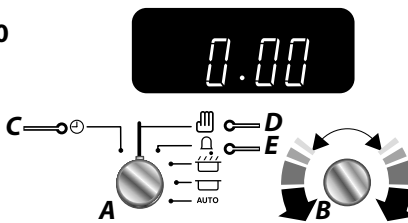


Fig. 2.20



- The 'cook period', which is the length of time you want the oven to cook for.
- The 'stop time', which is the time of day you want the oven to stop cooking.

The Ovens

The clock must be set to the time of day before the left-hand oven will work. See the following section on 'The Clock' for instructions on setting the time of day. The clock only controls the left-hand oven.

References to 'left-hand' and 'right-hand' ovens apply as viewed from the front of the appliance.

Note: Please remember that all cookers vary so temperatures in your new ovens may differ to those in your previous cooker.

Operating the Ovens

1. Turn the oven knob to the desired temperature (**Fig. 2.15**).
2. The oven indicator light will glow until the oven has reached the temperature selected (**Fig. 2.15**). It will then cycle on and off during cooking.

The Clock

You can use the clock to turn the left-hand oven on and off. **The clock must be set to the time of day before the oven will work.**

Setting the Clock

The 2-button LCD clock can only display a 24 hour clock. The Multifunction Oven on the left will not operate unless the clock has been set.

1. Once the cooker is connected and switched on, the display will start to flash.
2. To set the time, turn and hold the **Timer (A)** knob to the **Clock (C)** setting and at the same time turn the **Adjusting (B)** knob either clockwise or counter-clockwise (**Fig. 2.16**).
3. Once you have set the time release the **Timer (A)** knob.

Setting the Minute Minder

A **Minute Minder (E)** is a feature that can be set for a number of minutes and sounds an alarm once the specified amount of time has elapsed.

1. Turn the **Timer (A)** knob to the **Minute Minder (E)** setting (**Fig. 2.17**).
2. Turn the **Adjusting (B)** knob to set the amount of time required. e.g. 20 seconds (**Fig. 2.18**).
3. Turn the **Timer (A)** knob to the **Manual (D)** setting to see the current time and the 'Bell' symbol on the display (**Fig. 2.19**).
4. Once the specified time has elapsed it will emit an alarm. There are two ways to cancel the alarm:
 - I. Turn the **Adjusting (B)** knob counter-clockwise or clockwise (**Fig. 2.20**).
 - II. Turn either the **Timer (A)** knob to the **Clock (C)** or to the **Minute Minder (E)** setting. Return to **Manual (D)** for normal cooking mode (**Fig. 2.20**).

To Stop the Multifunction Oven at a Specific Time of Day

You have set the required temperature and function mode for the Multifunction Oven and you would like the Multifunction Oven to automatically stop.

TOP TIP

Make a note of the current time so you do not forget.

1. Turn the **Timer (A)** knob to the **Stop Time (G)** setting (**Fig. 2.21**).
2. Turn the **Adjusting (B)** knob clockwise, the display will show the current time of day (**Fig. 2.21**).
3. Continue to turn the **Adjusting (B)** knob to the amount of time required e.g. 1 minute. The display will show the current time plus the required length of time you have set (**Fig. 2.22**).
4. Turn the **Timer (A)** knob to the **Auto (H)** setting. The display will show the current time, the Cooking symbol and the word **'AUTO'** (**Fig. 2.22**).
5. Once the specified time has elapsed it will emit an alarm and the Multifunction Oven will stop working. The 'Cooking' symbol on the display will disappear and the word **'AUTO'** will flash (**Fig. 2.23**).
6. When you return, turn the **Timer (A)** knob to the **Manual (D)** setting to return to manual cooking and reset the Multifunction Oven modes once cooking is complete (**Fig. 2.23**).
7. Once the specified time has elapsed it will emit an alarm. There are two ways to cancel the alarm:
 - I. Turn the **Adjusting (B)** knob counter-clockwise or clockwise (**Fig. 2.24**).
 - II. Turn either the **Timer (A)** knob to the **Clock (C)** or to the **Minute Minder (E)** setting. Return to **Manual (D)** for normal cooking mode (**Fig. 2.24**).

NOTE

If the alarm is not manually switched off it will stop after approximately 2 minutes.

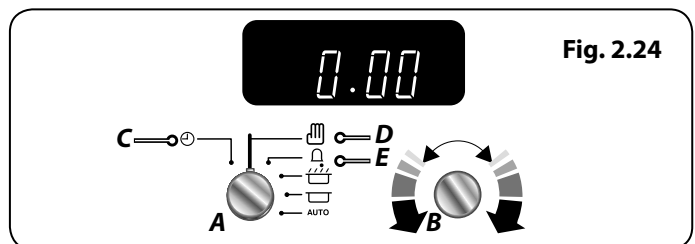
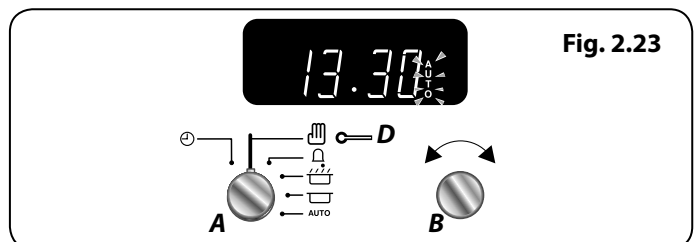
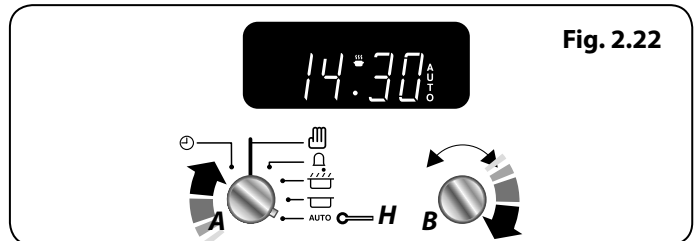
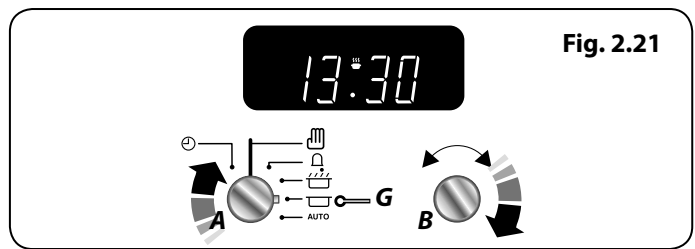


Fig. 2.25

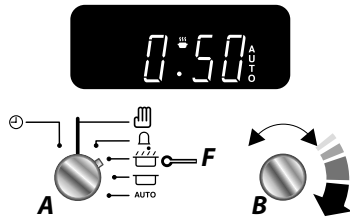


Fig. 2.26

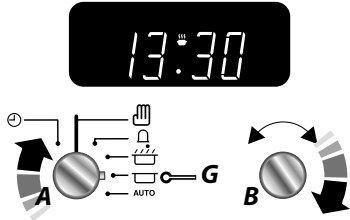


Fig. 2.27

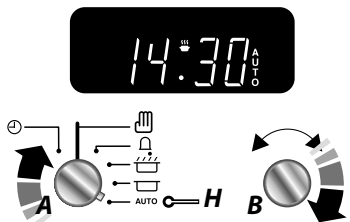


Fig. 2.28

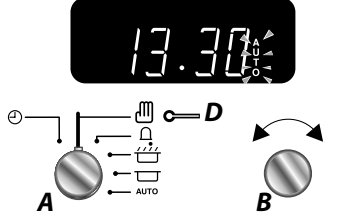


Fig. 2.29

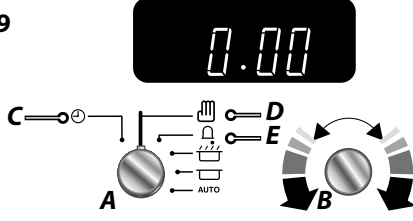
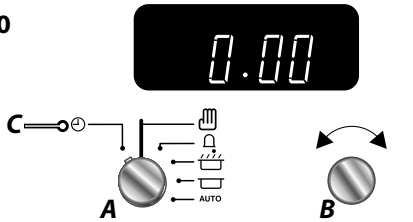


Fig. 2.30



To Start and Stop the Multifunction Oven

The Multifunction Oven allows you to automatically start and stop by a combination of the length of the cooking time and the stop time. Giving you the flexibility to cook casseroles etc while you are out. You cannot set the actual start time.

1. Turn the **Timer (A)** knob to the **Cook Time (F)** setting. Turn the **Adjusting (B)** knob clockwise to set the length of the cooking time required e.g. 50 seconds (**Fig. 2.25**).
2. Turn the **Timer (A)** knob to the **Stop Time (G)** setting (**Fig. 2.26**). Turn the **Adjusting (B)** knob clockwise to the required stop time, e.g. add 1 minute (**Fig. 2.27**).
3. Set the Multifunction Oven to the required cooking temperature and function mode.
4. Turn the **Timer (A)** knob to the **Auto (H)** setting (**Fig. 2.27**). If the display shows the current time and the word 'AUTO' the Multifunction Oven is set to turn on and off.
5. When the program starts the Multifunction Oven, the 'Cooking' symbol will appear on the display. Once the specified time has elapsed it will emit an alarm and the Multifunction Oven will stop working. The 'Cooking' symbol on the display will disappear and the word 'AUTO' will flash (**Fig. 2.28**).
6. Once the specified time has elapsed it will emit an alarm. There are two ways to cancel the alarm:
 - I. Turn the **Adjusting (B)** knob counter-clockwise or clockwise (**Fig. 2.29**).
 - II. Turn either the **Timer (A)** knob to the **Clock (C)** or to the **Minute Minder (E)** setting. Return to **Manual (D)** for normal cooking mode (**Fig. 2.29**).

Reset to Manual Cooking

To cancel any automatic settings turn the **Timer (A)** knob to the **Clock (C)** setting and release (**Fig. 2.30**).

Key Lock

The **Key Lock** will activate and deactivate the Multifunction Oven.

1. Cancel any active programs. Refer to 'Reset to Manual Cooking'.
2. Turn the **Timer (A)** knob to the **Clock (C)** setting and hold for approx. 8 seconds. The display will show '**ON**' (Fig. 2.31).
3. Continue to hold the **Timer (A)** knob onto the **Clock (C)** setting, turn the **Adjusting (B)** knob clockwise, the '**OF**' and the '**Key**' symbol will display (Fig. 2.32).
4. To activate repeat steps 1 to 2 and continue to hold the **Timer (A)** knob onto the **Clock (C)** setting, turn the **Adjusting (B)** knob clockwise to '**ON**', the '**Key**' symbol will disappear and the Multifunction Oven will be enabled.

When the key lock is activated the Multifunction oven is locked and will not come on.

The right-hand oven can be operated as usual.

Accessories

Oven Shelves – Left-hand (Main) Oven

The left-hand oven is supplied with two flat shelves (Fig. 2.33).

The oven shelves are retained when pulled forward but can be easily removed and refitted.

The deluxe oven tray (Fig. 2.34) is used for grilling, and can freely slide in and out along the shelf supports.

To refit the shelf, line up the shelf with a groove in the oven shelf supports and push the shelf back until the ends hit the shelf stop. Lift up the front so the shelf ends clear the shelf stops, and then lower the front so that the shelf is level and push it fully back (Fig. 2.35).

Oven Shelves – Right-hand Oven

The cooker is supplied with two standard shelves (Fig. 2.36).

The oven shelves can be easily removed and refitted.

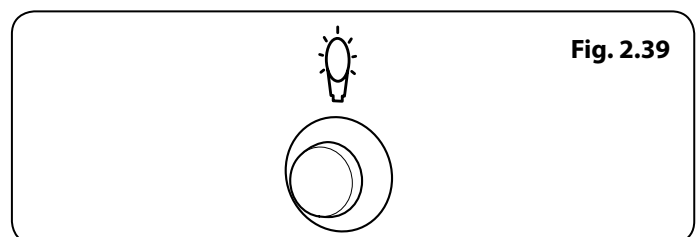
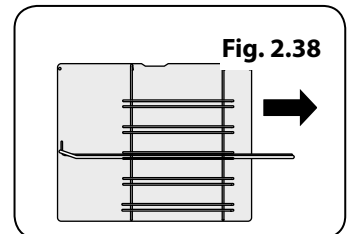
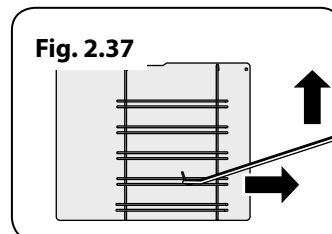
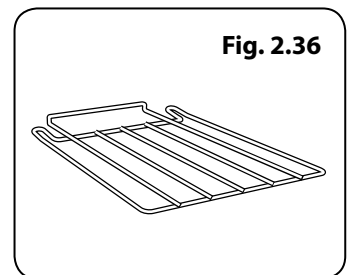
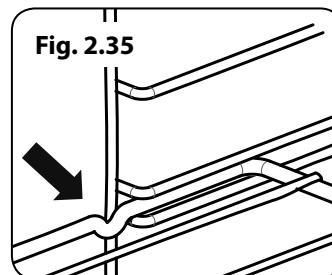
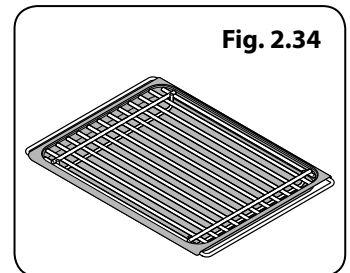
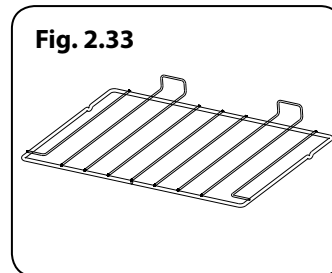
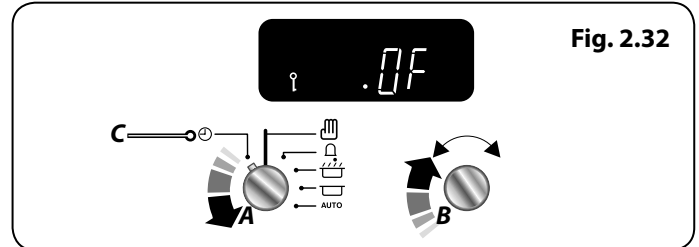
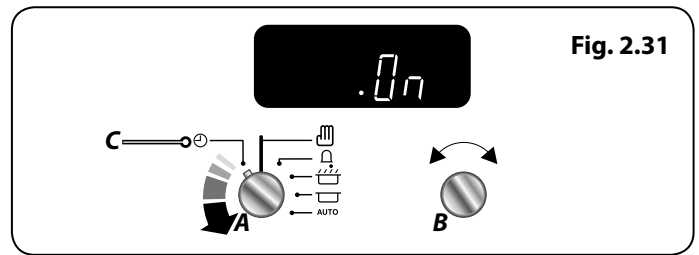
Pull the shelf forward until the back of the shelf is stopped by the shelf stop bumps in the oven sides (Fig. 2.37).

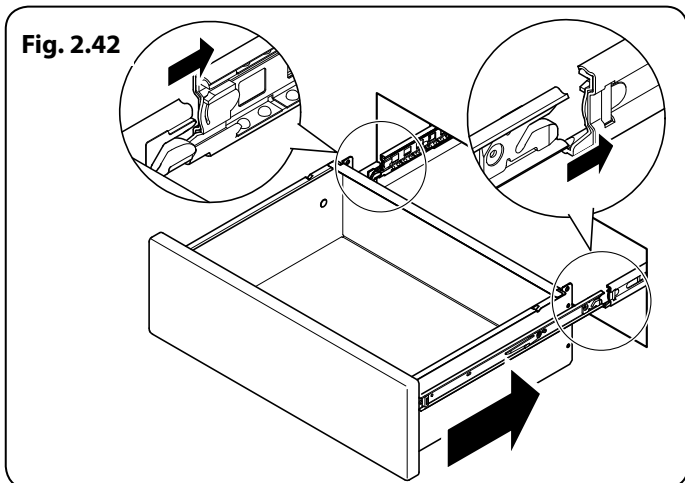
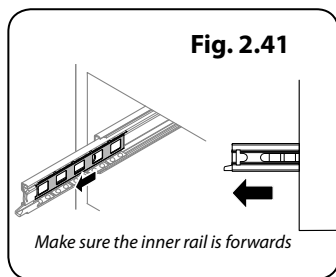
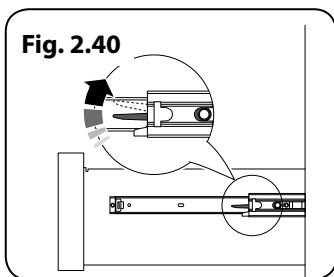
Lift up the front of the shelf so the back of the shelf will pass under the shelf stop and then pull the shelf forward (Fig. 2.38).

Oven Lights

Press the button to turn the lights on (Fig. 2.39).

If the oven lights fail, turn off the power supply before changing the bulb. See the 'Troubleshooting' section for details on how to change the bulb.





Storage

The bottom drawer is for storing oven trays and other cooking utensils.

It can get very warm, so do not store anything in it that may melt or catch fire. Never store flammable materials in the drawer. This includes paper, plastic and cloth items, such as cookbooks, plastic ware and towels, as well as flammable liquids. Do not store explosives, such as aerosol cans, on or near the appliance.

⚠ Flammable materials may explode and result in fire or property damage.

The drawer can be removed completely for cleaning, etc.

To Remove the Storage Drawer

Pull the drawer right out.

Push the ends of the plastic clips – down on the left-hand side, up on the right-hand side – to release the catches holding the drawer to the side rails (**Fig. 2.40**). At the same time pull the drawer forwards and away from the side rails.

For safety's sake push the drawer rails back out of the way.

To Replace the Storage Drawer

To replace the drawer in the cooker, pull the side rails fully out (**Fig. 2.41**). Carefully move the drawer back between the rails and rest it on the side rails (**Fig. 2.42**).

Push the drawer back until the clips click into place.

3. Cooking Tips

Cooking with a Multifunction Oven

Remember: not all modes are suitable for all food types. The oven cooking times given are intended for a guide only.

Tips on Cooking with the Timer

If you want to cook more than one dish, choose dishes that require approximately the same cooking time. However, dishes can be 'slowed down' slightly by using small containers and covering them with aluminium foil, or 'speeded up' slightly by cooking smaller quantities or placing them in larger containers.

Very perishable foods such as pork or fish should be avoided if a long delay period is planned, especially in hot weather.

- ⚠ DO NOT place warm food in the oven to be timed.**
- ⚠ DO NOT use a timed oven that is already warm.**
- ⚠ DO NOT use the timed oven if the adjoining oven is already warm.**

Whole poultry must be thoroughly defrosted before being placed in the oven. Check that meat and poultry are fully cooked before serving.

General Oven Tips

The wire shelves should always be pushed firmly to the back of the oven.

Baking trays with food cooking on them should be placed level with the front edge of the oven's wire shelves. Other containers should be placed centrally. Keep all trays and containers away from the back of the oven, as overbrowning of the food may occur.

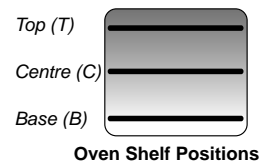
For even browning, the maximum recommended size of a baking tray is 340 mm (13½") by 340 mm (13½") in the main oven and 232 mm (9 1/8") by 321 mm (12 5/8") in the right-hand oven.

When the oven is on, do not leave the door open for longer than necessary, otherwise the knobs may get very hot.

- Always leave a "finger's width" between dishes on the same shelf in the main oven. This allows the heat to circulate freely around them.
- To reduce fat splashing when you add vegetables to hot fat around a roast, dry them thoroughly or brush lightly with cooking oil.
- Where dishes may boil and spill over during cooking, place them on a baking tray.
- If you want to brown the base of a pastry dish, preheat the baking tray for 15 minutes before placing the dish in the centre of the tray.

4. Cooking Table

The oven control settings and cooking times given in the table below are intended to be used **AS A GUIDE ONLY**. Individual tastes may require the temperature to be altered to provide a preferred result. Food is cooked at lower temperature in a fan oven than in a conventional oven. When using recipes, reduce the fan oven temperature by 10°C and the cooking time by 5-10 minutes. The temperature in the fanned oven does not vary with height in the oven so you can use any shelf. See 'Overview' and 'Cooking Tips' for more information.



Food	Left-hand Oven	Right-hand Oven	Approximate Cooking Time		
	Fan function Temperature °C	Conventional function Centre shelf Temperature °C			
Meat					
Beef (no bone)	150	160	30-35 minutes per 500g +30-35 minutes.	Thoroughly thaw frozen joints before cooking. Meat may be roasted at 220°C and the cooking time adjusted accordingly. For stuffed and rolled meats, add approximately 10 minutes per 500g, or cook at 200°C for 20 minutes then 160°C for the remainder.	
	190	200	20-25 minutes per 500g +20-25 minutes.		
Lamb	150	160	30-35 minutes per 500g +30-35 minutes.		
	190	200	25-30 minutes per 500g +25-30 minutes.		
Pork	150	160	35-40 minutes per 500g +35-40 minutes.		
	190	200	25-30 minutes per 500g +25-30 minutes.		
Poultry					
Chicken	150	160	20-25 minutes per 500g +20-25 minutes.		For stuffed poultry, you could cook at 200°C for 20 minutes then 160°C for remainder. Do not forget to include the weight of the stuffing. For fresh or frozen prepacked poultry, follow instructions on the pack. Thoroughly thaw frozen poultry before cooking.
	190	200	15-20 minutes per 500g +15-20 minutes.		
Turkey	150	160	20 minutes per 500g +20 minutes.		
	190	200	15 minutes per 500g +15 minutes.		
Duck	150	160	25-30 minutes per 500g.		
	190	200	20 minutes per 500g.		
Casserole	130-140	140-150	2-4 hours according to recipe.		
Yorkshire pudding	210	220	Large tins 30-35 minutes; individual 10-20 minutes.		
Cake					
Very rich fruit - Christmas, wedding, etc.	130	140	45-50 minutes per 500g of mixture.		
Fruit 180 mm tin	140	150	2-2½ hours.		
Fruit 230 mm tin	140	150	Up to 3½ hours.		
Madeira 180 mm	150	160	80-90 minutes.	Using the right-hand oven: when two tier cooking leave at least one runner space between shelves. Position the baking tray with the front edge along the front of the oven shelf.	
Queen cakes	180	190	15-25 minutes.		
Scones	210	220	10-15 minutes.		
Victoria sandwich					
180 mm tin	170	180	20-30 minutes.	Up to three tiers can be cooked in a fan oven at the same time but make sure to leave at least one runner space between each shelf being cooked on.	
210 mm tin	170	180	30-40 minutes.		
Desserts					
Shortcrust tarts	180	190	20-30 minutes on a preheated tray.	Using the right-hand oven: for even browning the maximum size of baking tray recommended is 232 mm x 321 mm. This ensures free heat circulation.	
Fruit pies	180	190	35-45 minutes.		
Tartlets	180	190	10-20 minutes according to size.		
Puff pastry	210	220	20-40 minutes according to size.		
Meringues	90	100	2-3 hours.	If cooking a two tier load, the trays should be interchanged approximately halfway through the cooking time.	
Baked egg custard	150	160	45-60 minutes.		
Baked sponge pudding	180	190	40-45 minutes.		
Milk pudding	130-140	140-150	2 to 3 hours.		
Bread	210	220	20-30 minutes.		
Fish					
	Fanned	Grilling			
Fillet	180	190	15-20 minutes.		
Whole	180	190	15-20 minutes per 500g.		
Steak	180	190	Steaks according to thickness.		

5. Cleaning Your Cooker

Essential Information

Isolate the electricity supply before carrying out any thorough cleaning. Allow the cooker to cool.

⚠ NEVER use paint solvents, washing soda, caustic cleaners, biological powders, bleach, chlorine based bleach cleaners, coarse abrasives or salt.

⚠ DO NOT mix different cleaning products – they may react together with hazardous results.

All parts of the cooker can be cleaned with hot soapy water – **but take care that no surplus water seeps into the appliance.**

Remember to switch on the electricity supply and reset the clock before re-using the cooker.

Hotplate Burners

The burner heads and caps can be removed for cleaning.

⚠ DO NOT put the burner heads in a dishwasher.

Make sure they are absolutely dry before replacing them.

The Single Ring Burners

When refitting the burner head, make sure that the notch lines up with the electrode or hole in the base. Check that the burner head is level and that the cap is fitted centrally on the burner head (**Fig. 5.1**).

The Wok Burner

The Wok burner can also be taken apart for cleaning.

When reassembling the wok burner (**Fig. 5.2**), turn over the large base ring and find the 'D' shaped area (**Fig. 5.3**). Turn the head until the 'D' matches the one on the burner base. Flip the burner over once again and place it on the burner base.

To fit the small inner burner, find the larger electrode notch in the burner rim. Line this up with the white ignition electrode and place the inner burner on the large base ring (**Fig. 5.4**).

Now fit the two burner caps, making sure that they are seated properly.

Check the burner ports are not blocked. If a blockage occurs, remove stubborn particles using a piece of fuse wire.

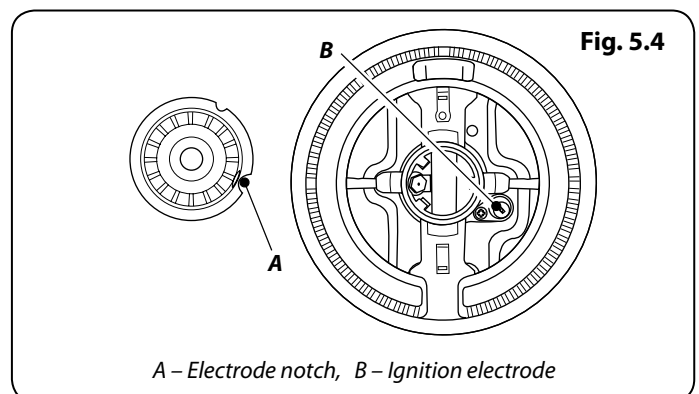
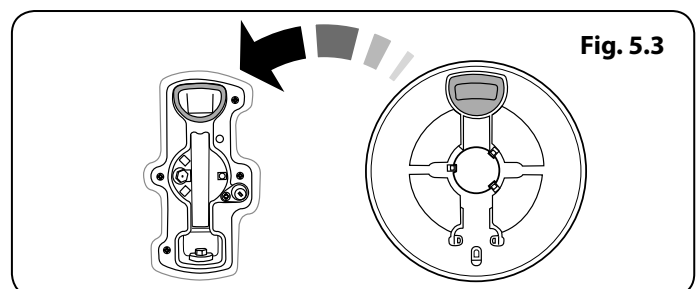
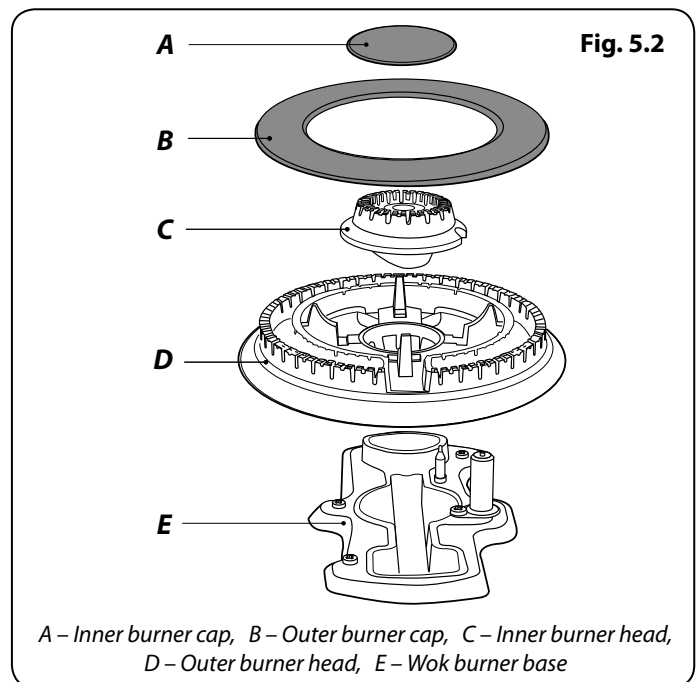
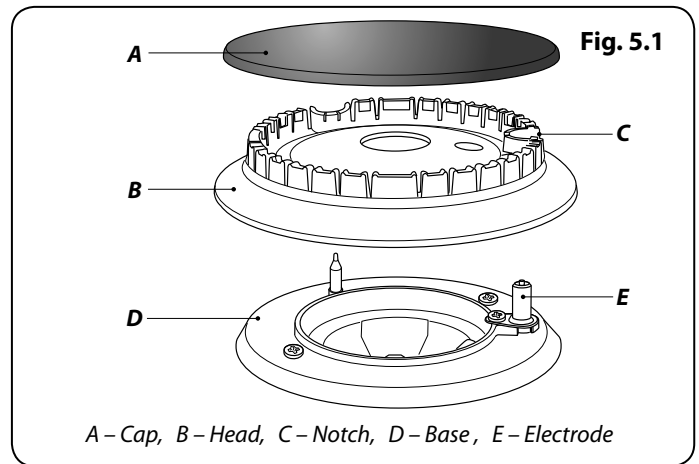
The Wok Cradle

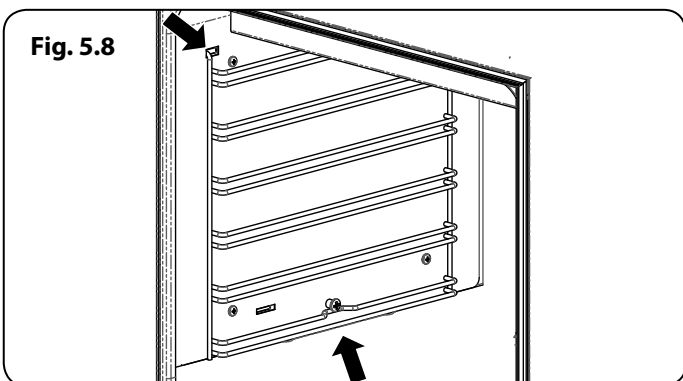
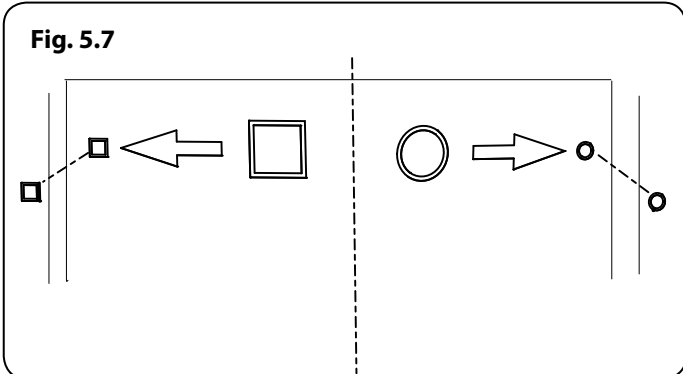
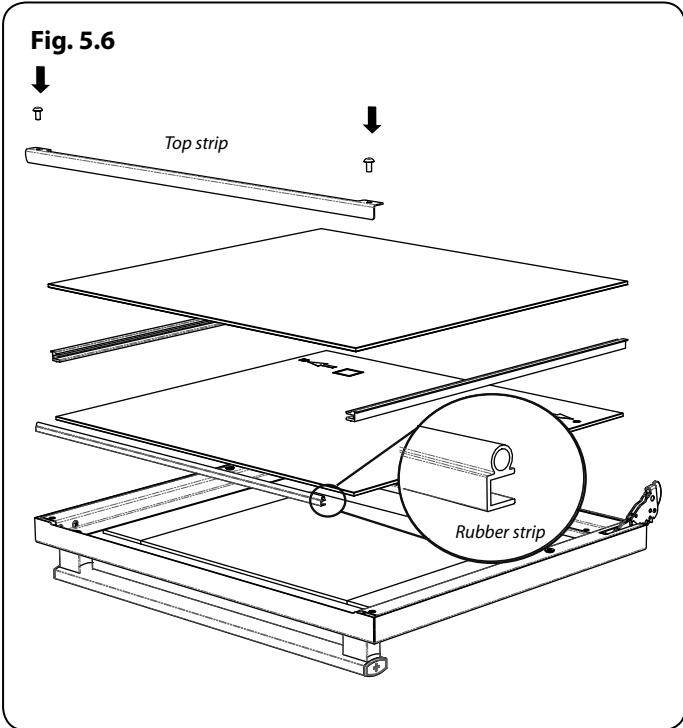
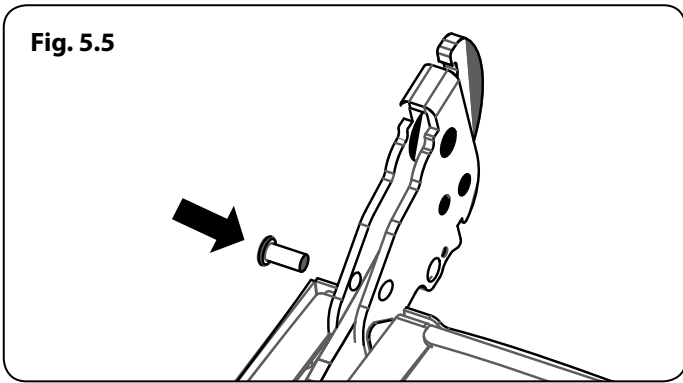
Recommended cleaning materials are hot soapy water, a moistened soap pad, cream cleaner or a nylon scourer.

The Griddle

Always clean the griddle after use. Allow it to cool completely before removing. Immerse the griddle plate in hot soapy water. Use a soft cloth or, for stubborn stains, a nylon washing up brush.

Note: If the griddle is washed in a dishwasher then some dishwasher residue may appear on the back. This is normal and will not affect the performance of your griddle.





Control Panel and Doors

Avoid using any abrasive cleaners including cream cleaners. For best results, use a liquid detergent.

The same cleaner can be used on the doors, or alternatively, using a soft cloth wrung out in clean hot soapy water – but take care that no surplus water seeps into the appliance.

After cleaning, polish with a dry cloth.

Removing the Glass Fronted Door Panels

⚠ DO NOT use harsh abrasive cleaners or sharp metal scrapers to clean the oven door glass since they can scratch the surface, which may result in shattering of the glass.

Open the oven door fully and place the supplied holding pins in the drop down hinges (**Fig. 5.5**).

Remove the top 2 fixing screws using the Allen key supplied and the door top strip (**Fig. 5.6**). Then lift the 2 glass panels out.

To refit the door glass correctly, make sure that the printed circle and square on the glass, match up to the pressed holes of the same shape (**Fig. 5.7**). This will ensure the heat reflective side is in the correct position, facing towards the oven.

Make sure that the rubber strips are all attached.

After cleaning, carefully refit the door panel. Push down gently to release the holding pins and remove them.

Removing the Left-hand Main Oven Linings

Some of the lining panels can be removed for cleaning. You will need to remove the shelves before removing the panels. To remove the oven shelf supports lift until clear of the two top supporting holes, and the middle fixing screw and pull outwards (**Fig. 5.8**).

To remove the side panels, take out the 5 fixing screws on each side, lift the panel and slide forwards.

To replace the liner, the cut-out section must be at the top of the liner. Slide the liner towards the back of the oven cavity. When this is in position you can replace the fixing screws and then the shelf supports. To do this, insert the top of the support into the cut-out section, relocating the support under the lower fixing screw to secure into place.

Removing the Right-hand Oven Shelf Supports

To clean the oven sides, slide out the shelves, unhook the shelf supports from the oven sides (**Fig. 5.9**), and lift out.

Refit in reverse, making sure that the bottom of the shelf supports are inserted into the holes at the bottom of the oven (**Fig. 5.10**), prior to hooking the top into position.

Removing the Right-hand Oven Cover Plate and Reflector Tray

Isolate the electricity supply before carrying out any thorough cleaning. Allow the cooker to cool.

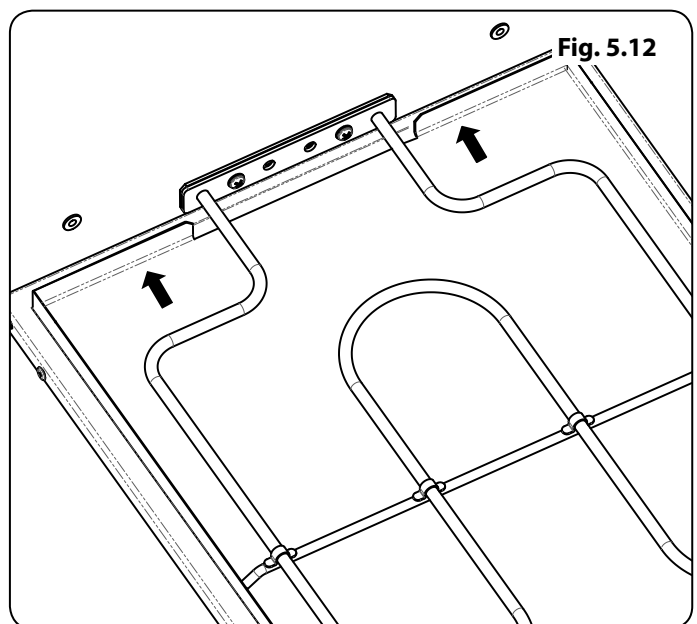
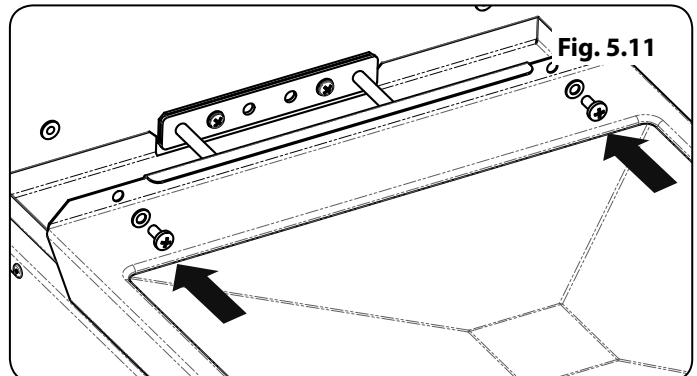
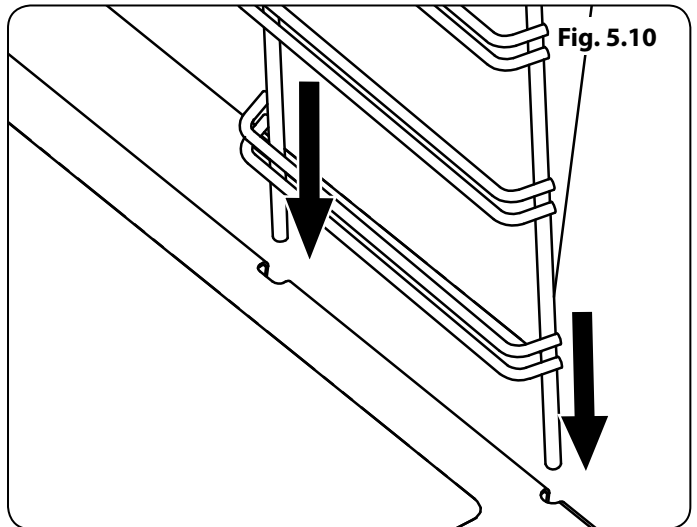
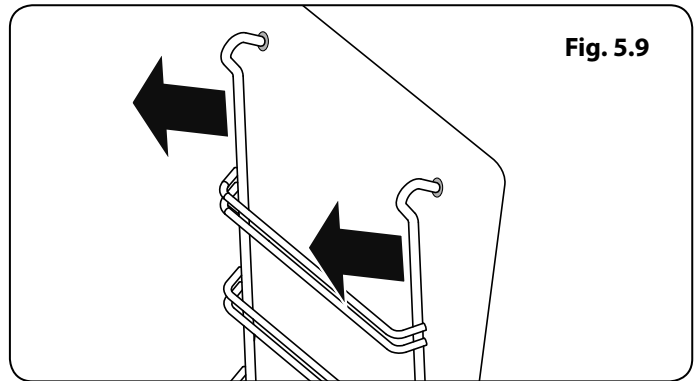
Once the side supports have been removed (see above) the cover plate at the bottom of the oven can be taken out by unscrewing the 2 fixing screws at the back of the oven (**Fig. 5.11**).

Lift the cover plate out using the lip at the back, and carefully lift up and pull forward.

To remove the reflector tray from underneath the element, gently raise the element and remove the tray from between the element and the oven front.

When replacing the reflector tray, it is important to push the tray fully back into position (**Fig. 5.12**). To do this, gently lift the element and slide the tray to the back of the oven.

To replace the cover plate, tilt it up at the back to allow it to go under the front lip of the oven, making sure that the fixing holes are aligned at the rear of the cooker. Lower into position and replace the screws.



Cleaning Table

Cleaners listed (**Table 5.1**) are available from supermarkets or electrical retailers as stated.

For enamelled surfaces use a cleaner that is approved for use on vitreous enamel.

Regular cleaning is recommended. For easier cleaning, wipe up any spillages immediately.

Hotplate		
Part	Finish	Recommended Cleaning Method
Hob top (including burner heads and caps)	Enamel, stainless steel, aluminium	Hot soapy water, soft cloth. Any stubborn stains remove gently with a nylon scourer.
Griddle plate	Non-stick surface	Allow to cool. Wash in hot soapy water. Do not use abrasive cleaners/scourers. Dishwasher.
Outside of Cooker		
Part	Finish	Recommended Cleaning Method
Door, door surround & storage drawer exterior	Enamel or paint	Hot soapy water, soft cloth. Any stubborn stains, remove gently with a liquid detergent.
	Stainless steel	E-cloth (<i>electrical retailers</i>) or microfibre all-purpose cloth (<i>supermarket</i>).
Sides & plinth	Painted surface	Hot soapy water, soft cloth.
Rear grille	Enamel or stainless steel	Hot soapy water, soft cloth. Cream cleaner, with care, if necessary.
Control panel	Paint, enamel or stainless steel	Warm soapy water. Do not use abrasive cleaners on lettering.
Control knobs/handles & trims	Plastic/chrome, copper or lacquered brass	Warm soapy water, soft cloth.
	Brass	Brass polish.
Oven door glass	Toughened glass	Hot soapy water, cream cleaner/scourer if necessary.
Oven		
Part	Finish	Recommended Cleaning Method
Sides, floor & roof of oven	Enamel	Any proprietary oven cleaner that is suitable for enamel. CAUTION: CORROSIVE/CAUSTIC OVEN CLEANERS: FOLLOW MANUFACTURER'S INSTRUCTIONS. Do not allow contact with the oven elements. Use the minimum amount of liquid when cleaning the right-hand oven as you risk spilling it into the cover plate at the base of the oven.
Oven shelves & trivet	Chrome	An oven interior cleaner that is suitable for chrome. Soap filled pad. Dishwasher.
Grill pan/meat tin	Enamel	Hot soapy water. Soap filled pad. Dishwasher.

Table 5.1

6. Troubleshooting

Hotplate ignition or hotplate burners faulty

Is the power on? Is the clock illuminated?

If not, there may be something wrong with the power supply.

Are the sparker (ignition electrode) or burner slots blocked by debris?

Are the burner trim and caps correctly located? See the section on 'Cleaning'?

Hotplate burners will not light

Make sure that the burner parts have been replaced correctly after wiping or removing for cleaning.

Check that there is not a problem with your gas supply. You can do this by making sure that other gas appliances you may have are working.

Do the burners spark when you push the control?

If not, verify that the power is on by checking that the clock is illuminated.

Steam is coming from the oven

When cooking foods with high water content (e.g. oven chips) there may be some steam visible at the rear grille.

Take care when opening the oven door, as there may be a momentary puff of steam when the oven door is opened. Stand well back and allow any steam to disperse.

What cleaning materials are recommended for the cooker?

See the 'Cleaning' section for recommended cleaning materials.

Never use caustic or abrasive cleaners as these will damage the surface.

An oven fan is noisy

The note of the oven fan may change as the oven heats up – this is perfectly normal.

The knobs get hot when I use the oven. Can I avoid this?

Yes, this is caused by heat rising from the oven and heating them up. Do not leave the oven door open.

The fascia gets hot when I use the oven

The cooker is cooled by a fan. If the fascia becomes excessively hot when the cooker is in use then the cooling fan may have failed. Should this occur please contact your installer, a qualified repair engineer or Customer Service to arrange for its repair.

If there is an installation problem and I don't get my original installer to come back to fix it who pays?

You do. Service organisations will charge for their call outs if they are correcting work carried out by your original installer. It is in your interest to track down your original installer.

Power failure

In the event of a failure in the electrical supply, remember to reset the clock to make sure that the timed oven continues to operate.

Food is cooking too slowly, too quickly, or burning

Cooking times may differ from your previous oven.

Check that you are using the recommended temperatures, shelf positions and tray sizes – see the oven cooking guide. The oven control settings and cooking times are intended to be used only as a guide.

Individual tastes may require the temperature to be altered either way, to get the results you want.

The oven is not cooking evenly

Do not use a baking tray with dimensions larger than those specified in the section on 'General Oven Tips'.

If you are cooking a large item, be prepared to turn it round during cooking.

If two shelves are used, check that space has been left for the heat to circulate. When a baking tray is put into the oven, make sure that it is placed centrally on the shelf.

Check that the door seal is not damaged and that the door catch is adjusted so that the door is held firmly against the seal.

A dish of water when placed on the shelf should be the same depth all over. (For example, if it is deeper at the back, then the back of the cooker should be raised up or the front lowered.) If the cooker is not level arrange for your supplier to level it for you.

Oven not coming on

Is the power on? Is the clock illuminated? If not, there may be something wrong with the power supply.

Is the cooker supply on at the isolator switch?

Has the time of day been set?

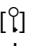
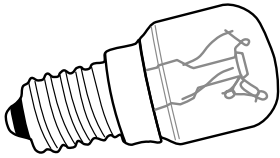
Is the key symbol [] showing in the display to signify that the oven is locked? See the 'Clock' section of the instructions for more information on the key lock feature.

Fig. 6.1



The timed oven is not coming on when automatic cooking

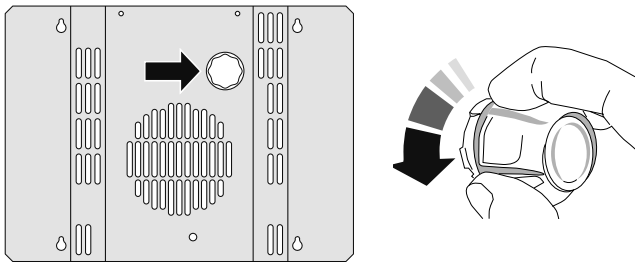
Has the oven knob been left in the OFF position by mistake?

Is the oven locked (see above)?

Oven temperature getting hotter as the cooker gets older

If turning the temperature down using the oven control knob has not worked, or has only worked for a short time, then you may need a new thermostat. This should be fitted by a service person.

Fig. 6.2



Oven lights are not working

The bulb has probably burnt out. You can buy a replacement bulb (which is not covered under the warranty) from a good electrical shop. Ask for a 15W – 230V lamp, FOR OVENS. It must be a special bulb, heat resistant to 300°C (**Fig.6-1**).

Turn off the power at the circuit breaker.

Before removing the existing bulb, turn off the power supply and make sure that the oven is cool. Open the oven door and remove the oven shelves.

Unscrew the bulb cover by turning counter-clockwise. It may be very stiff (**Fig.6-2**).

Taking care to protect your fingers with a glove in case the bulb should shatter, unscrew the old bulb.

Screw in the new bulb; screw back the bulb cover. Turn on the circuit breaker and check that the bulb now lights.

INSTALLATION

Check the appliance is electrically safe and gas sound when you have finished.

7. Installation

Service and Spares

Firstly, please complete the appliance details below and keep them safe for future reference – this information will enable us to accurately identify the particular appliance and help us to help you. Filling this in now will save time and inconvenience if you later have a problem with the appliance. It may also be of benefit to keep your purchase receipt with this leaflet. You may be required to produce the receipt to validate a warranty field visit.

Distributor's Name and Address	Andi-Co Australia Pty Ltd. 1 Stamford Road, Oakleigh, VIC 3166 Customer Care Tel: 1300 650 020 Email: service@andico.com.au
Name of Appliance	Professional+ 100 FX
Appliance Serial Number*	
Fuel Type	Dual Fuel
Date of Purchase	
Installer's Name, Address and Telephone No.	
Date of Installation	

* This information is on the appliance data badge.

If You Have a Problem

In the unlikely event that you have a problem with your appliance, please refer to rest of this booklet, especially the problem solving section, first to check that you are using the appliance correctly.

If you are still having difficulty, contact Customer Care on 1300 650 020 or email service@andico.com.au.

Please Note

For warranty information and how to request a remedy, please refer to the warranty document provided with the appliance or contact Customer Care.

Out of Warranty

We recommend that our appliances are serviced regularly throughout their life to maintain the best performance and efficiency. The frequency of service will depend on usage – for normal usage once a year should suffice.

Service work should only be carried out by a suitably Authorised Person.

Spare Parts

To maintain optimum and safe performance, we recommend that only genuine spare parts are used. Do not use re-conditioned or unauthorised controls. Contact Spare Parts on (03) 9569 7744 or email spares@andico.com.au

INSTALLATION

Check the appliance is electrically safe and gas sound when you have finished.

Dear Installer

Before you start your installation, please complete the details below, so that, if your customer has a problem relating to your installation, they will be able to contact you easily.

Installer's Name
Installer's Company
Installer's Telephone Number
Appliance Serial Number

You must be aware of the following safety requirements & regulations.

- ⚠ Before installation, make sure that the local distribution conditions (nature of the gas and gas pressure) and the adjustment of the appliance are compatible.**
- ⚠ The appliance must be installed in accordance with the regulations in force and only in a well ventilated space.**
- ⚠ Read the instructions before installing or using this appliance.**

The regulations and standards are as follows:

- **AS 5601 – 'Gas Installations'**

In your own interest and that of safety, it is law that all gas appliances be installed by competent persons.

- ⚠ Failure to install the appliance correctly could invalidate any warranty or liability claims and lead to prosecution.**

The cooker must be installed in accordance with all local gas fitting regulations, municipal building codes, electrical wiring regulations and any other relevant statutory regulations.

- ⚠ WARNING!**
Where this appliance is installed in a marine craft, caravan or mobile home, it shall NOT be used as a space heater.

Provision of Ventilation

This appliance is not connected to a combustion products evacuation device. Particular attention shall be given to the relevant requirements regarding ventilation.

The room containing the cooker should have an adequate air supply.

Install the cooker in a location to allow the complete combustion of gas, proper flueing and to maintain ambient temperature of the immediate surroundings at safe limits, under normal condition.

Location of Cooker

The cooker may be installed in a kitchen/kitchen diner but NOT in a room containing a bath or shower.

Note: An appliance for use on Propane must not be installed in a room or internal space below ground level, e.g. in a basement.

Conversion

All models are supplied set for use on Natural gas. A conversion kit for Propane gas is included with the appliance. See the instructions that are supplied with the conversion kit.

After converting the appliance, please attach the Gas Conversion sticker over the appropriate area of the data badge – this will identify the gas type for which the appliance is now set.

INSTALLATION

Check the appliance is electrically safe and gas sound when you have finished.

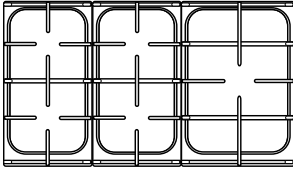
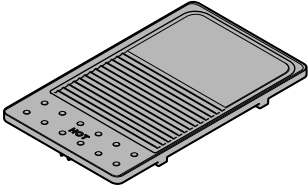
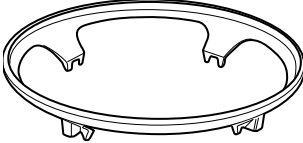
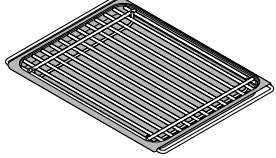
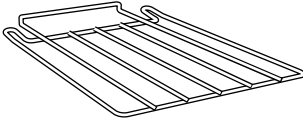
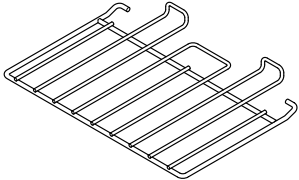
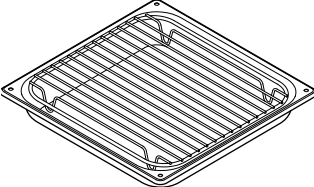
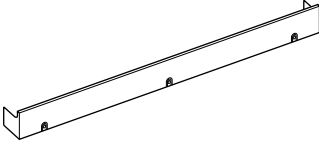
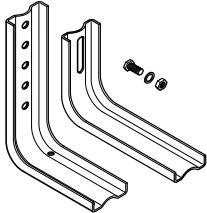
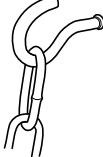
You will need the following equipment to complete the cooker installation satisfactorily:

- Flexible gas hose.
- Gas pressure tester/manometer.
- Multimeter: For electrical checks.

You will also need the following tools:

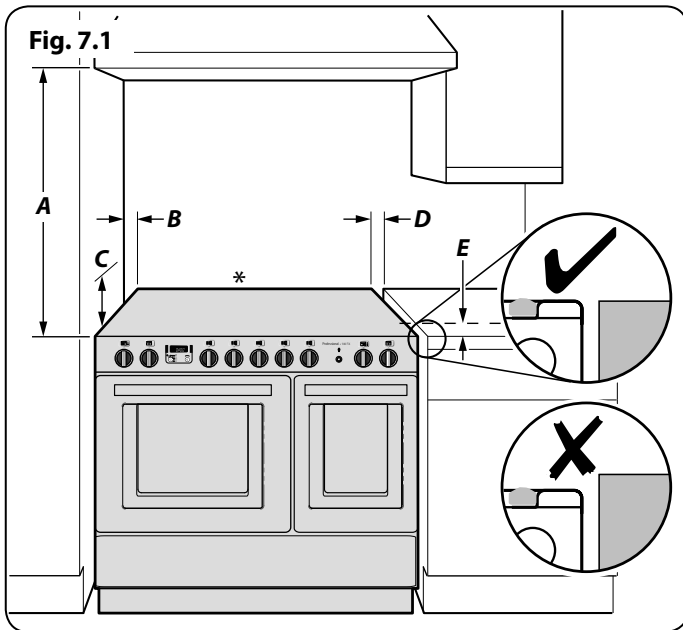
1. Electric drill
2. Masonry drill bit (only required if fitting the cooker on a stone or concrete floor)
3. Wall plugs (only required if fitting the cooker on a stone or concrete floor)
4. Steel tape measure
5. Cross head screwdriver
6. Flat head screwdriver
7. 4 mm & 3 mm Allen keys
8. Spirit level
9. Pencil
10. Adjustable spanner
11. 13 mm spanner or socket wrench
12. Screws for fitting the restraining chain and bracket

Checking the Parts:

<i>3 pan supports</i>	<i>Griddle</i>
	
<i>Wok cradle</i>	<i>Deluxe oven tray and trivet</i>
	
<i>2 standard shelves</i>	<i>2 flat shelves</i>
	
<i>Grill pan</i>	<i>Plinth</i>
	
<i>Stability bracket</i>	<i>Restraining chain & hook</i>
	

INSTALLATION

Check the appliance is electrically safe and gas sound when you have finished.



Positioning the Cooker

The diagram (Fig. 7.1) shows the minimum recommended distance from the cooker to nearby surfaces as given in AS 5601.

*Any splashback must be fitted in accordance with the manufacturer's instructions. Allowance should be made for the additional height of the flue trim, which is fitted to the cooker hob.

1. Overhead – Measurement A

The minimum height of any surface above the cooker is 650 mm above the hotplate.

Cookerhoods and exhaust fans shall be installed in accordance with the manufacturer's instructions. However, in no case shall the clearance between the highest part of the hob of the cooking appliance and a cookerhood be less than 650 mm or, for an overhead exhaust fan, 750 mm.

2. Side Clearances – Measurements B & C

Where B, measured from the periphery of the nearest burner to any vertical combustible surface, or vertical combustible surface covered with toughened glass or sheet metal, is less than 200 mm, the surface shall be protected to make sure that the combustible surface does not exceed 65 °C above ambient*. Even with the surface protected, the dimension B should not be less than 135 mm above hotplate level.

*The fixing of 5 mm thick ceramic tiles to the surface, or attaching fire resistant material to the surface and covering with sheet metal with a minimum thickness of 0.4 mm to a height C of not less than 150 mm above the hotplate, should satisfy this requirement.

3. Side Clearances – Measurement D & E

Where D, the distance from the periphery of the nearest burner to a horizontal combustible surface is less than 200 mm, then E shall be 10 mm or more, or the horizontal surface shall be above the trivet.

We recommend a gap of 1010 mm between units to allow for moving the cooker. Do not box the cooker in – it must still be possible to move the cooker in and out for cleaning and servicing.

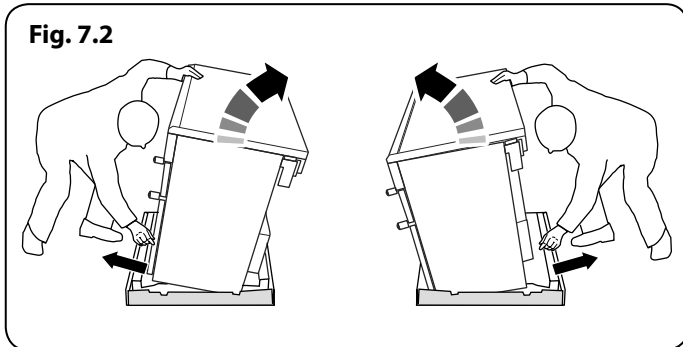
Moving the Cooker

⚠ On no account try and move the cooker while it is plugged into the electricity supply.

⚠ The cooker is very heavy, so take great care.

We recommend two people manoeuvre the cooker. Make sure that the floor covering is firmly fixed, or removed to prevent it being disturbed when moving the cooker around. To help you, there are two levelling rollers at the back and two screw-down levelling feet at the front.

From the back tilt the cooker forward and remove the rear half of the polystyrene base pack (Fig. 7.2). Repeat from the front and remove the front half of the polystyrene base.



INSTALLATION

Check the appliance is electrically safe and gas sound when you have finished.

Lowering the Two Rear Rollers

To adjust the height of the rear of the cooker, first fit a 13 mm spanner or socket wrench onto the hexagonal adjusting nut (**Fig. 7.3**). Rotate the nut – clockwise to raise – counter-clockwise to lower.

Make 10 complete (360°) turns clockwise. Make sure you lower BOTH REAR ROLLERS.

Completing the Move

Unfold the rear edge of the pack base tray.

We recommend that you remove the oven doors to move the cooker. Open the oven door fully and place the supplied holding pins in the drop down hinges (**Fig. 7.4**).

Carefully lift the door panel up and out, place safely to one side. You can now get a good grip from inside of the oven (not the fascia panel) as you move the oven (**Fig. 7.5**).

Carefully push the cooker backwards off the cardboard base. Remove the pack base tray.

Position the cooker close to its final position, leaving just enough space to get behind it.

After moving, carefully refit the door panel. Push down gently to release the holding pins and remove them.

⚠ Do not use the door handles or control knobs to manoeuvre the cooker.

Levelling the Cooker

It is recommended that you use a spirit level on a shelf in one of the ovens to check for level.

Place the cooker in its intended position. Take care not to twist it within the gap between the kitchen units as damage may occur to the cooker or units.

The front feet and rear rollers can be adjusted to level the cooker.

To adjust the height of the rear of the cooker use a 13 mm spanner or socket wrench to turn the hexagonal adjusting nuts at the front bottom corners of the cooker.

To set the front turn the feet bases to raise or lower.

Fitting the Stability Bracket and Chain

⚠ A stability bracket and chain MUST be fitted when the cooker is connected to a flexible gas supply.

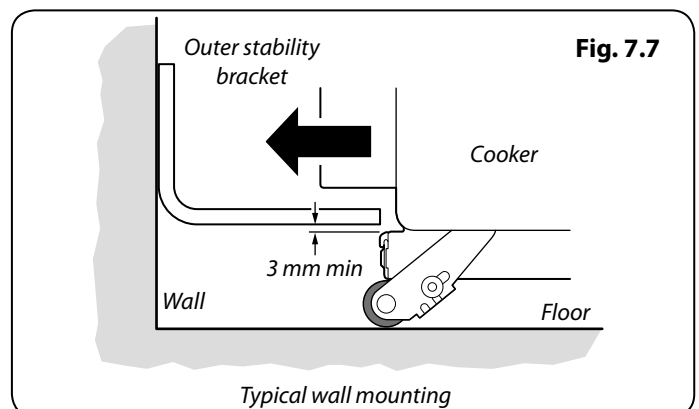
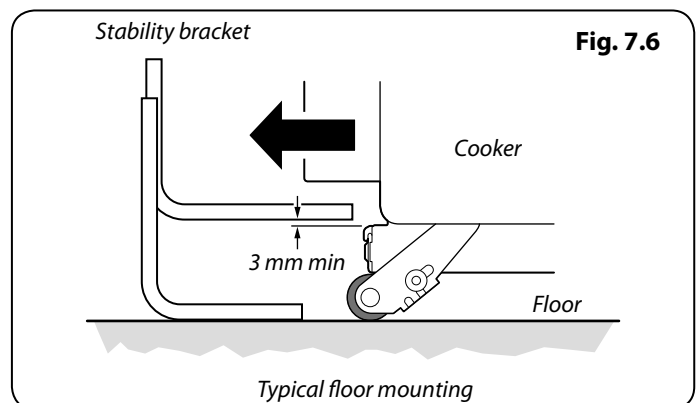
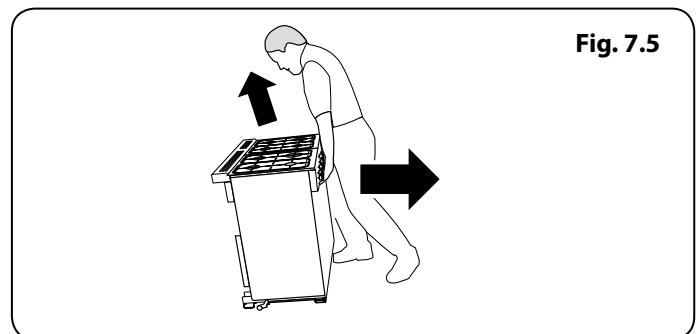
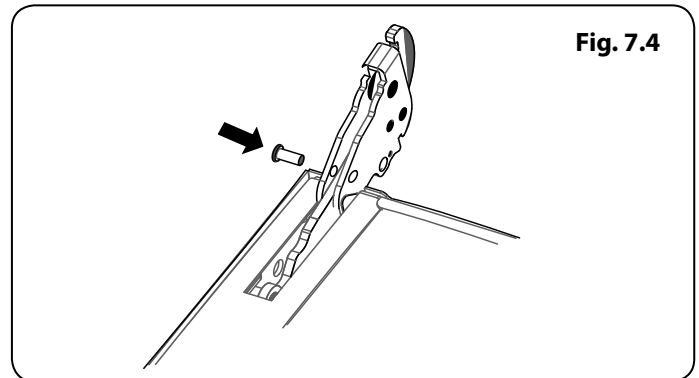
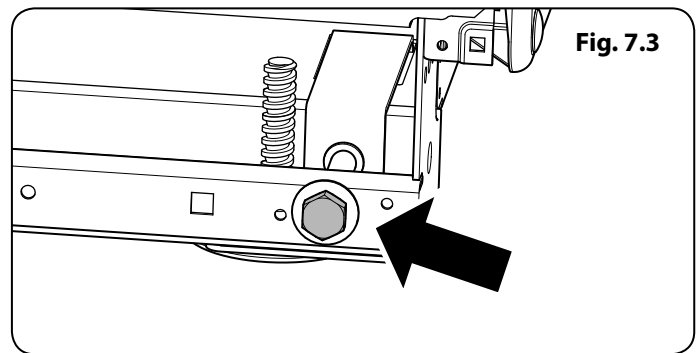
Unless properly installed, the cooker could be tipped by leaning on the door. Injury might result from spilled hot liquids or from the cooker itself.

IMPORTANT: The cooker must be set to the correct height and levelled before the stability bracket is installed.

Fitting a Stability Bracket

When fitting a stability bracket please refer to the instructions supplied with the bracket for further details on fitting.

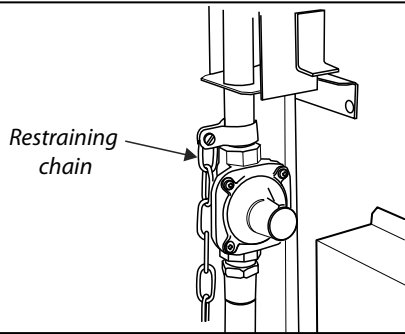
When fitting a stability bracket (**Fig. 7.6** and **Fig. 7.7**) adjust the bracket to give the smallest practicable clearance



INSTALLATION

Check the appliance is electrically safe and gas sound when you have finished.

Fig. 7.8



between the bracket and the engagement slot in the rear of the cooker. Fit the bracket so that it engages as far as possible over the chassis of the cooker.

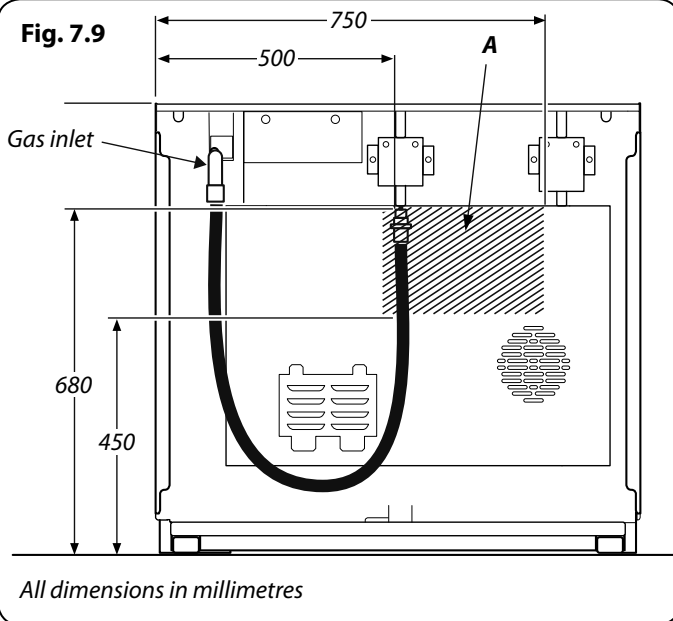
Fitting the Restraining Chain

The restraining chain **MUST** be fitted.

The length of chain between the appliance and the wall fixing should prevent strain on the gas and electricity connections, but still allow access to unhook the chain when the cooker is pulled forward.

Measure the length of chain required. Use the clamp supplied to clamp onto the gas pipe (**Fig. 7.8**). Fix the supplied hook securely to the wall.

Fig. 7.9



Gas Connection

Must be in accordance with the relevant standards.

The gas supply needs to terminate with a threaded fitting 1/2". The inlet connector is located just below the hotplate level at the rear of the cooker.

Because the height of the cooker can be adjusted and each connection is different it is difficult to give precise dimensions. Ideally, the house supply connection should be in the shaded area (**Fig. 7.9**).

Means of isolation must be provided at the supply point by either an approved quick-connect device or a Type 1 manual shut-off valve.

The hose should be fitted so that both inlet and outlet connections are vertical so that the hose hangs downwards in a 'U' shape (**Fig. 7.9**).

A flexible connection is supplied with the cooker. If it is necessary to use another hose it must be to AS 1869 Class B and be suitable for your gas type.

If in doubt contact your supplier. Screw connect the threaded end of the hose into the gas inlet.

After completing the gas connection, check the cooker is gas sound with a pressure test. When checking for gas leaks do not use washing up liquid – this can corrode. Use a product specifically manufactured for leak detection.

Natural Gas

The adjustable spring loaded gas pressure regulator is preset to give a nominal pressure of 1 kPa on Natural gas. Connect to the Rp 1/2 inlet on the underside of the pressure regulator.

Propane

This cooker is supplied ready for use on Natural gas. A conversion kit for Propane gas is supplied with the cooker – see the 'Conversion to Propane Gas' section.

Pressure Testing

The pressure test point is accessible on the inlet pipe at the rear. Remove the test nipple screw and fit a pressure gauge to the test point. Turn on and light two of the hotplate burners.

For Natural Gas cookers the pressure should be between 0.95kPa and 1.0kPa.

For Propane X cookers the pressure should be 2.54 kPa.

INSTALLATION

Check the appliance is electrically safe and gas sound when you have finished.

Electrical Connection

This appliance must be installed by a qualified electrician to comply with the relevant regulations (AS/NZS 60335.2.6) and also the local electricity supply company requirements.

Make sure that the mains characteristics (voltage, nominal, power, etc.) match the ratings indicated on the cooker data plate.

Current Operated Earth Leakage Breakers

The combined use of your cooker and other domestic appliances may cause nuisance tripping, so we recommend that the cooker is protected on an individual RCD (Residual Current Device) or RCBO (Residual Current Breaker with Overload).

IF IN DOUBT, PLEASE CONSULT A SUITABLY QUALIFIED ELECTRICIAN.

The cooker is preset for a single-phase earthed electrical connection. It is essential to install a multi-pole circuit breaker that completely disconnects the appliance from the mains, with a minimum contact break distance of 3 mm.

⚠ WARNING: THIS APPLIANCE MUST BE EARTHED.

The appliance must be connected to an efficient earthing circuit. If the electricity network is not equipped with an earth connection, then it must be installed separately in compliance with local regulations.

Earthing is a safety measure required by law, and must be performed with particular care by a qualified technician, who must also check that the electricity supply characteristics are correct.

The total electrical load of the appliance is approximately 7.4 kW. The cable size used should be suitable for this load and comply with all local requirements (i.e. PVC Insulated cable IEC 60227 – code 53 for ordinary cables).

Please note the maximum cable sizes are 6 mm² for the screw terminals and 10 mm² for the 3-pronged links (**Fig. 7.11**).

Access to the mains terminal is gained by removing the electrical terminal cover on the back panel. Connect the mains cable to the correct terminals for your electrical supply type (**Fig. 7.10** and **Fig. 7.12**). Check that the links are correctly fitted and that the terminal screws are tight. Secure the mains cable using the cable clamp (**Fig. 7.13**).

Fixed Wiring

For connection to fixed wiring, i.e. flexible conduit, remove the electrical terminal cover on the back panel.

Fix the conduit-to-conduit mounting bracket onto the rear cover with screws (**Fig. 7.13**). Connect the mains cable to the correct terminals for your electrical supply type (**Fig. 7.10** and **Fig. 7.12**). Check that the links are correctly fitted and that the terminal screws are tight.

Replace the electric terminal cover; make sure that the conduit is clear of the bottom flange.

Fig. 7.10

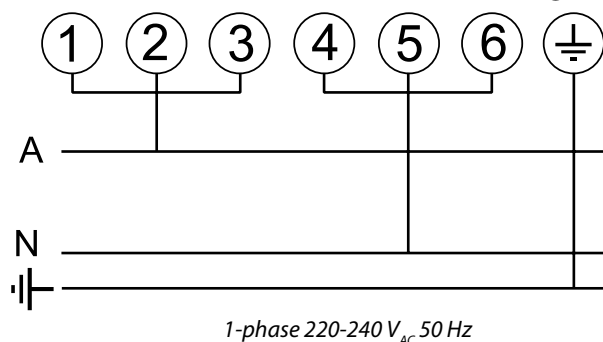


Fig. 7.11

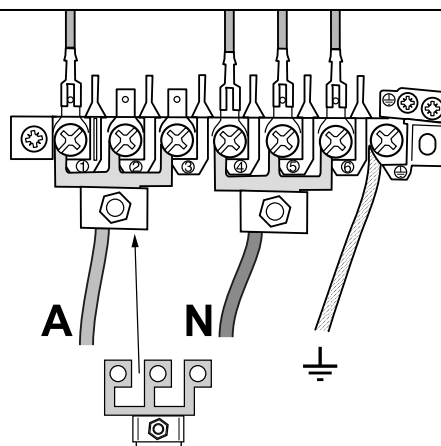


Fig. 7.12

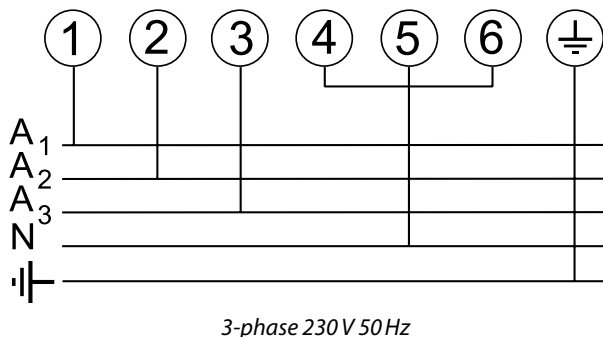
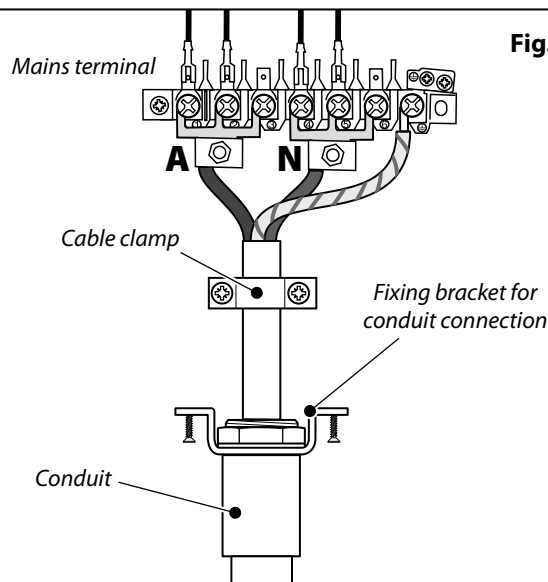


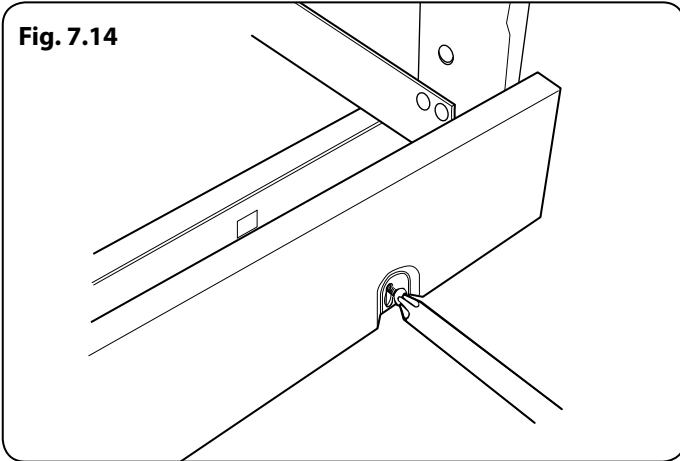
Fig. 7.13



INSTALLATION

Check the appliance is electrically safe and gas sound when you have finished.

Fig. 7.14



Final Checks

Note: The clock must be set before the ovens will work. See 'The Clock' section for instructions on setting the time of day.

Hotplate Check

Check each burner in turn. There is a Flame Supervision Device (FSD) that stops the flow of gas to the burner if the flame goes out. For each burner, turn the control knob to the solid flame symbol. Press in the control knob. This lets gas through to the burner. Keep holding the knob pressed in and press the igniter button or light with a match. Keep holding the control knob pressed in for about 10 seconds.

If, when you let go of the control knob the burner goes out, the safety device has not held in. Wait one minute then try again this time holding the control pressed in for slightly longer.

Oven Check

Turn on the oven and check that it starts to heat up. Check that the oven lights are working.

Note: The oven light bulb is not included in the guarantee.

Turn off the oven.

Fitting the Plinth

Loosen the three screws along the front bottom edge of the cooker. Hook the central keyhole over the central screw. Twist and fit each end keyhole over their respective screws. Tighten the fixing screws (**Fig. 7.14**).

Customer Care

Installer: Please complete your details in this guide, inform the user how to operate the cooker and hand over the instructions.

Thank you.

WARNING – SERVICING TO BE CARRIED OUT ONLY BY AN AUTHORISED PERSON
Disconnect from electricity and gas before servicing. Check appliance is safe when you have finished.

8. Conversion to Propane Gas

Conversion from Natural Gas (1.0 kPa) to LPG X Propane (2.54 kPa)

- ⚠** This conversion must be performed by a competent person, in accordance with these instructions and with the local supply company requirements. Read the instructions before converting this appliance.
- ⚠** Failure to convert the appliance correctly could invalidate any warranty or liability claims and lead to prosecution.
- ⚠** The conversion instructions must be used in conjunction with the rest of the appliance instruction, in particular for information on Standards, cooker positioning, connection, hose suitability, etc.
- ⚠** When servicing or replacing gas-carrying components, disconnect from the gas before starting, and check that the appliance is gas sound after completion.
- ⚠** DO NOT use reconditioned or unauthorised gas controls.
- ⚠** Disconnect from the electricity supply before conversion. Before electrical reconnection, check that the appliance is electrically safe.

Injectors

Remove the burner caps and heads. Remove the old jets. Fit the new jets: see 'Technical Data' section for correct jets. Reassemble in the reverse order (**Fig.8.1**).

Tap Adjustment

Removing the Control Panel

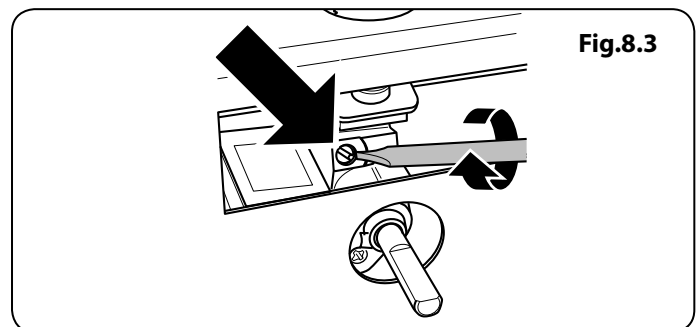
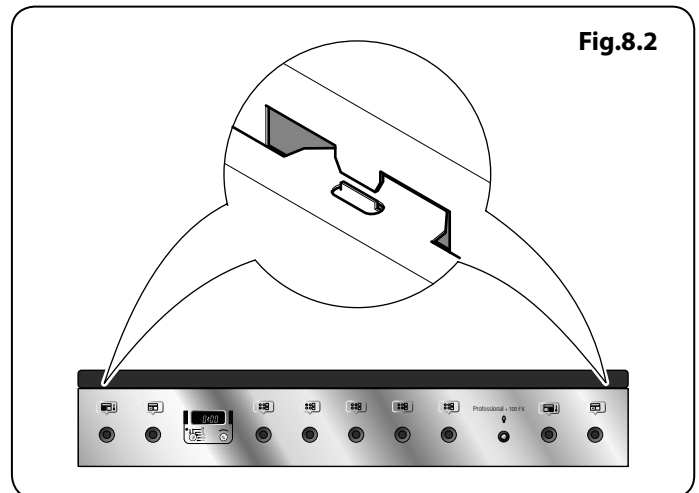
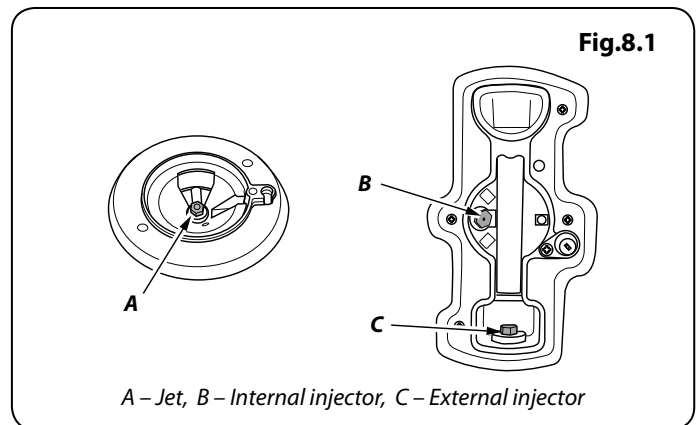
Pull off all the control knobs. Remove the 3 fixing screws underneath the control panel.

The control panel will drop down slightly. It is held at the top by two holes in the top edge, one at each end, that locate on the tags on the inner panel (**Fig.8.2**). Lift the control panel clear of the tags and pull forwards, taking care not to damage or strain the wiring.

Bypass Screw Adjustment

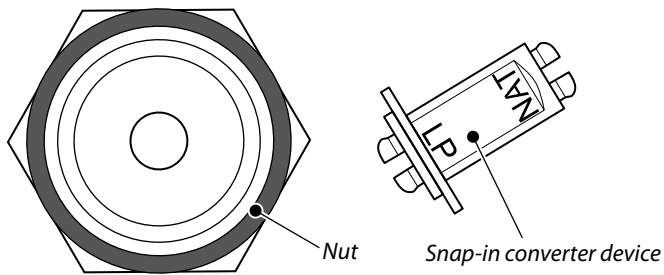
Turn the bypass screw on each control clockwise to the stop (**Fig.8.3**).

Refit the control panel.



WARNING – SERVICING TO BE CARRIED OUT ONLY BY AN AUTHORISED PERSON
Disconnect from electricity and gas before servicing. Check appliance is safe when you have finished.

Fig.8.4



Set the Governor

Unscrew the governor's brass top. In the base of the brass top is a plastic snap-in converter device (**Fig.8.4**). To convert the governor, snap the device out of the top and refit it the other way round. The snap-in converter device is marked to show the gas for which it is set (**Fig.8.5**).

Make sure the device is secure in the top cap and refit the cap to the governor.

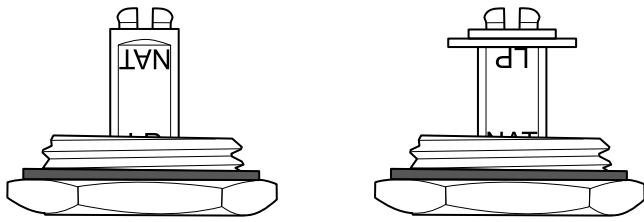
Pressure Testing

The pressure test point is accessible on the inlet pipe at the rear. Remove the test nipple screw and fit a pressure gauge to the test point. Turn on and light two of the hotplate burners.

For Propane X cookers the pressure should be 2.54 kPa.

- ⚠ Make sure that the appliance is gas sound.**
- ⚠ Check the operation of all the burners.**

Fig.8.5



Affix Label

Stick the appropriate gas label over the natural gas part of the appliance data label.

WARNING – SERVICING TO BE CARRIED OUT ONLY BY AN AUTHORISED PERSON
Disconnect from electricity before servicing. Check appliance is safe when you have finished.

9. Servicing

- ⚠ BEFORE SERVICING ANY GAS CARRYING COMPONENTS TURN OFF THE GAS SUPPLY**
- ⚠ Check the appliance is gas sound after completion of service. When checking for gas leaks DO NOT use washing up liquid – this can corrode. Use a product specifically manufactured for leak detection.**
- ⚠ DO NOT use reconditioned or unauthorised gas controls.**
- ⚠ Disconnect from the electricity supply before servicing, particularly before removing any of the following: control panel, side panels, hotplate tray or any electrical components or covers.**
- ⚠ Before electrical reconnection, check that the appliance is electrically safe.**

1 Panels

1.1 To Remove the Control Panel

- ⚠ DISCONNECT FROM THE ELECTRICITY SUPPLY.**

Pull off all the control knobs.

Open the grill and right-hand oven doors and remove the 4 fixing screws underneath the control panel.

The control panel should drop down slightly. It is held at the top by 2 holes in the top edge, one at each end, that locate on tags on the inner panel (**Fig. 9.1**). Clear the control panel holes from the inner panel and pull the control panel forward.

Disconnect the wiring from the rear.

Reassemble in reverse order. When replacing the leads refer to the wiring diagram. Check the operation of the timer.

1.2 To Remove the Side Panels

- ⚠ DISCONNECT FROM THE ELECTRICITY SUPPLY.**

Remove the control panel (see 1.1). Pull the cooker forward. Remove the 4 retaining screws for each panel (1 at the front base, one on the top and 2 at the rear).

Reassemble in reverse order.

2 Hotplate

2.1 To Remove the Hotplate

- ⚠ DISCONNECT FROM THE ELECTRICITY SUPPLY.**

Remove the pan supports and burner heads. Remove the screws holding the hotplate burners to the hotplate.

Remove the 6 screws holding the hotplate tray to the cooker (**Fig. 9.2**).

Taking care not to damage the burner electrodes, carefully lift the hotplate. From underneath, disconnect the earth lead at the right-hand rear from the rear cross member and withdraw the hotplate.

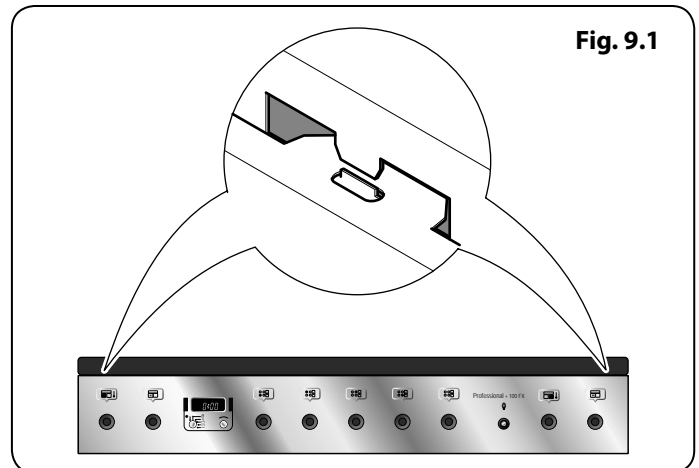


Fig. 9.1

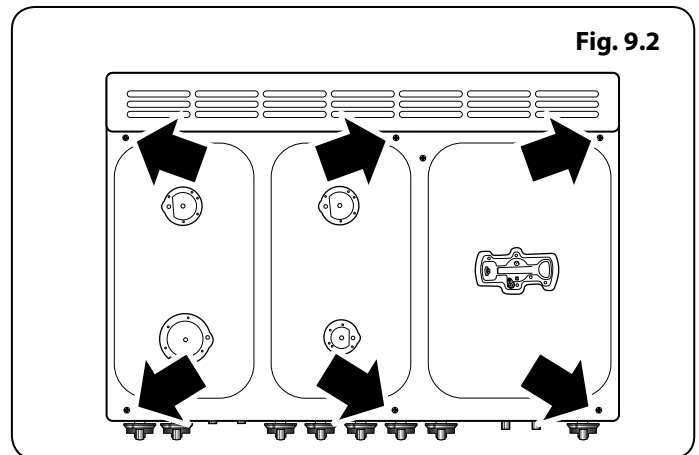


Fig. 9.2

WARNING – SERVICING TO BE CARRIED OUT ONLY BY AN AUTHORISED PERSON
Disconnect from electricity before servicing. Check appliance is safe when you have finished.

Reassemble in reverse order, making sure that you reconnect the leads. Take care not to damage the burner ignition electrodes.

IMPORTANT: Make sure you replace the rear earthing leads when refitting the fixing screws as they form part of the cooker earthing.

Check for correct burner operation.

2.2 To Replace the Hotplate Control Taps

⚠ DISCONNECT FROM THE ELECTRICITY SUPPLY.

⚠ BEFORE SERVICING ANY GAS CARRYING COMPONENTS, TURN OFF THE GAS SUPPLY.

Remove the control panel and hotplate (see 1.1 & 1.2). Unplug the FSD lead from the rear of the tap. Undo the compression fitting at the rear of the tap and remove the fixings that secure the tap to the gas rail. Disconnect the ignition switch wiring.

Remove the tap. Remove and discard the gasket seal. Fit the new gasket seal to the replacement tap. Reassemble in reverse order. Check that the appliance is gas sound. Verify the hotplate ignition.

2.3 To Replace a Hotplate Burner Injector

⚠ DISCONNECT FROM THE ELECTRICITY SUPPLY.

Remove the burner cap and head (**Fig. 9.3**). Remove the old injector. Fit the new injector.

Note: The wok burner has 2 injectors.

Fit the new injector. Reassemble in reverse order. Check the appliance is gas sound.

2.4 To Replace a Hotplate Burner Electrode

Lift off pan supports and remove the burner cap. Remove the screw holding the electrode. Pull the electrode vertically up sufficiently to grip the lead between thumb and forefinger.

Pull off the electrode, but keep hold of the lead. Fit the new electrode to the lead. Fix the electrode in the burner with screw. Replace the burner cap.

Check the burner ignition. Replace the pan supports.

2.5 To Replace a Hotplate Burner

Remove the hotplate tray (see 2.1). The burners (except the right-hand wok burner) are mounted on support struts. For these burners, disconnect the burner feed pipes at the burner. Remove the screws at the front and rear holding the support struts. Lift the strut and burners clear.

The burners are fixed to the support struts with 2 screws. Remove the appropriate burner and fit the new one.

Reassemble in reverse order. Check that the burner operation is satisfactory.

Right-hand Wok Burner

Disconnect the burner feed pipes at the burner. Fit the new one and reassemble in reverse order. Check the burner operation.

2.6 To Change a Hotplate Burner Thermocouple

DISCONNECT FROM THE ELECTRICITY SUPPLY.

Remove the control panel and hotplate (see 1.1 & 1.2). Unplug the FSD lead from the rear of the tap.

The thermocouple sits in a hole that has a slot at one side. Ensure that the thermocouple is cool. Turn the thermocouple so that the earth lead (no sleeve) is in line with the slot. Lift the thermocouple clear of the hole.

Reassemble in reverse order.

3 Control Panel

3.1 To Replace the light Switch

⚠ DISCONNECT FROM THE ELECTRICITY SUPPLY.

Remove the control panel (see 1.1).

Note: The old switch may be destroyed during removal. Remove the old switch from its bezel by gripping the switch body behind the control panel and twisting sharply. Remove the switch bezel by folding back the locking wings and pushing forward.

To fit the new bezel to the control panel, first line up the raised key on its body with the cut-out in the control panel and push it in from the front.

Assemble the new switch to the bezel by lining up the key sections and pushing home. Fit the new button by pushing in from the front.

Replace the control panel in reverse order and test for correct operation.

3.2 To Replace the Clock

⚠ DISCONNECT FROM THE ELECTRICITY SUPPLY.

Remove the control panel (see 1.1). Pull off the timer control buttons.

Undo the timer fixing screws and remove the timer mounting bracket assembly from the control panel.

Remove the timer from its mounting bracket by depressing the plastic lugs on the timer case, and at the same time pulling the unit forward.

Reassemble in reverse order. When replacing the leads, refer to the wiring diagram. Check the operation of the timer.

3.3 To Change the Ignition Generator

⚠ DISCONNECT FROM THE ELECTRICITY SUPPLY.

Pull the cooker forwards to gain access to the cover box at the rear of the cooker. Remove the screws securing the cover and lift clear. Pull off all the leads to the generator noting their positions. Slacken the 2 screws holding generator to cooker and remove the generator.

Fit the new generator to the cooker and replace the leads. Refer to the wiring diagram and reassemble in reverse order. Check ignition performance.

WARNING – SERVICING TO BE CARRIED OUT ONLY BY AN AUTHORISED PERSON
Disconnect from electricity before servicing. Check appliance is safe when you have finished.

4 Ovens

4.1 To Remove the Oven Inner Back

Main Oven Only

Open the main oven door. Remove the 4 screws and washers securing the inner back to the back of the oven (**Fig. 9.3**). Carefully lift away the inner back.

Reassemble in reverse order, making sure that you fully tighten the 4 screws and washers.

4.2 To Change the Oven Fan

⚠ DISCONNECT FROM THE ELECTRICITY SUPPLY.

Pull the cooker forward to gain access to the rear. Remove the screws securing the electric cover to the back sheet and remove the cover. Disconnect the 3 terminals connected to the fan, noting their position.

Remove the oven inner back (see 4.1). Hold the fan blade and remove the centre nut (left-hand thread), 2 brass washers, fan blade and circlip. Unscrew the fan retaining nuts and washers (3 off each) and lift the fan away from the rear of the cooker.

Fit the new fan and reassemble in reverse order. Check the operation of the oven.

4.3 To Replace a Fan Oven Element

⚠ DISCONNECT FROM THE ELECTRICITY SUPPLY.

Remove the oven inner back (see 4.1).

Remove the 2 screws from the top of the element and the 1 from the bottom of the element (**Fig. 9.4**). Carefully lift the element out, disconnecting the terminals connected to the element (noting their positions).

If it is not possible to disconnect the leads in this way, pull the cooker forward to gain access to the rear, remove the screws securing the electric cover to the back sheet, remove the cover and disconnect the terminals from the rear.

Fit the new element and reassemble in reverse order. Check the operation of the oven.

4.4 To Replace the Main Oven Bottom and Top Elements

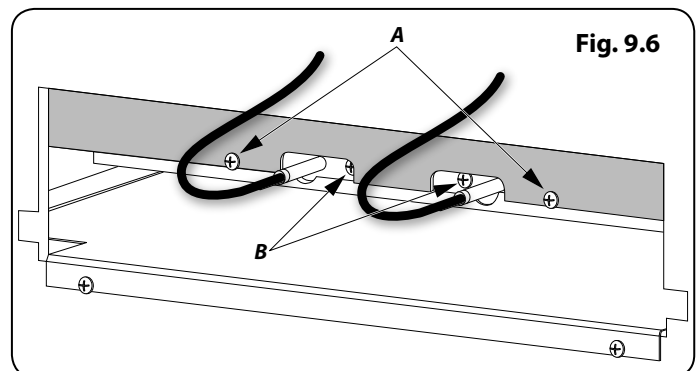
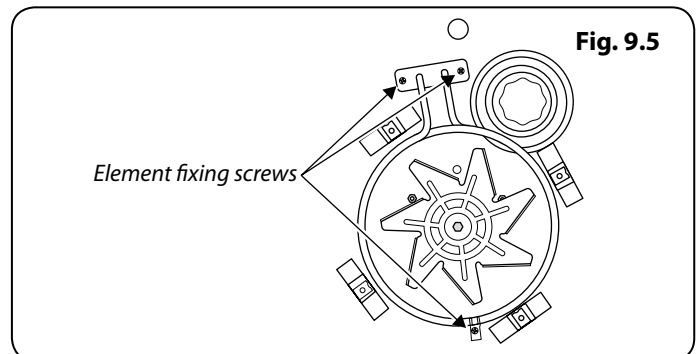
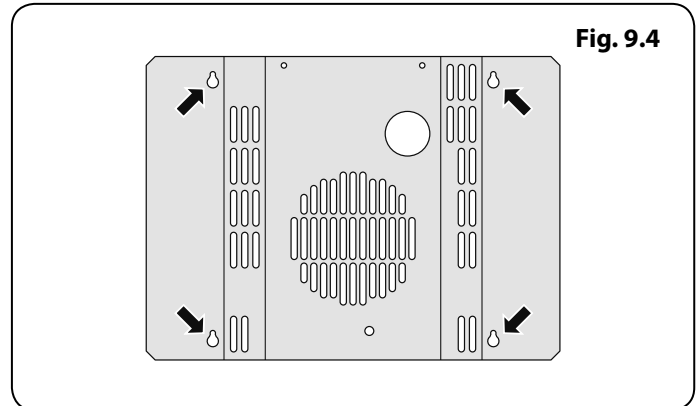
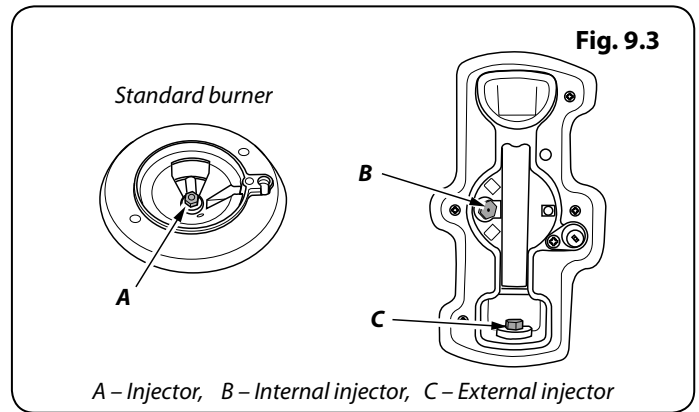
⚠ DISCONNECT FROM THE ELECTRICITY SUPPLY.

Bottom Element

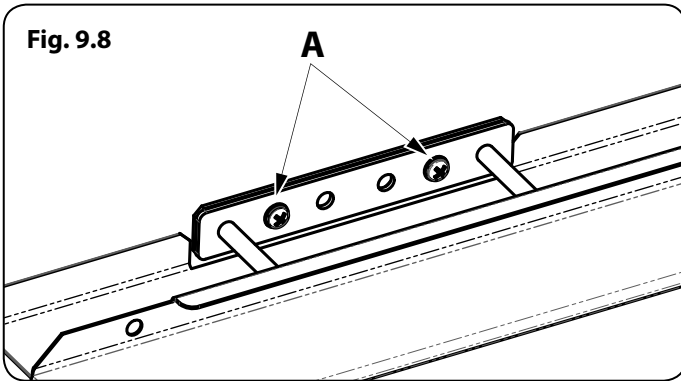
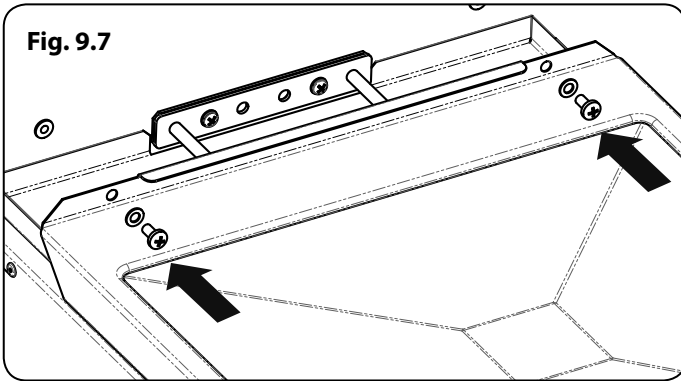
Pull the cooker forward to access the cover boxes at the rear of the unit. Remove the fixings that secure the cover and lift it clear.

Remove the 2 screws 'A' and allow the plate to drop down (**Fig. 9.6**). Remove the 2 screws 'B', lift element and remove through the slot in the range back (**Fig. 9.6**). Undo the terminal connections, noting their positions. Withdraw the element.

Replace the element and re-assemble parts in reverse order.



WARNING – SERVICING TO BE CARRIED OUT ONLY BY AN AUTHORISED PERSON
Disconnect from electricity before servicing. Check appliance is safe when you have finished.



Top Element

Open the left-hand oven door and undo the fixings that secure the heat shield. Remove the top element bracket fixings and withdraw the element.

Replace the element and reassemble parts in reverse order. Check that the oven operates satisfactorily.

4.5 To Replace the Right-hand Oven Bottom and Top Elements

⚠ DISCONNECT FROM THE ELECTRICITY SUPPLY.

Bottom Element

Before replacing the bottom element it is necessary to remove the cover plate.

Remove the side supports (see **Removing the Right-hand Oven Shelf Supports** on page 17).

Remove the cover plate at the bottom of the oven by unscrewing the 2 fixing screws at the back of the oven (**Fig. 9.7**).

Lift the cover plate out using the lip at the back, and carefully lift up and pull forward.

Remove the 2 screws 'A' and allow the plate to drop down (**Fig. 9.8**). Undo the terminal connections, noting their positions. Withdraw the element.

Replace the element and re-assemble parts in reverse order.

To replace the cover plate, tilt it up at the back to allow it to go under the front lip of the oven, making sure that the fixing holes are aligned at the rear of the cooker. Lower into position and replace the screws.

Top Element

Open the right-hand oven door and undo the fixings that secure the heat shield. Remove the top element bracket fixings and withdraw the element.

Replace the element and reassemble parts in reverse order. Check that the oven operates satisfactorily.

4.6 To Remove an Oven Element Thermal Cut-Out

⚠ DISCONNECT FROM THE ELECTRICITY SUPPLY.

Pull the cooker forward to gain access to the cover box. Undo the cover screws and lift clear. The cut-out is located on the earth plate beside the oven element connections. Disconnect the cut-out wiring. Undo the fixings that secure the cut-out to the earth plate and remove.

Fit the replacement control and re-assemble in reverse order.

WARNING – SERVICING TO BE CARRIED OUT ONLY BY AN AUTHORISED PERSON
Disconnect from electricity before servicing. Check appliance is safe when you have finished.

4.7 To Replace an Oven Thermostat

⚠ DISCONNECT FROM THE ELECTRICITY SUPPLY.

Remove the control panel (see 1.1) and hotplate top (see 2.1). Open the oven doors and remove the oven furniture.

Left-hand oven

Remove the four screws that secure the fan cover (**Fig. 9.3**) then remove the fan cover.

From inside the oven unclip the thermostat phial, located at the rear of the oven.

Pull cooker forward to gain access to the cover box at the rear of the cooker. Remove the screws securing the cover and lift clear. The oven thermostat capillary is clamped to the oven back sheet with an earthing plate. Remove the screw and plate (**Fig. 9.9**).

Remove the two screws securing the thermostat body to the control panel at the front of the cooker. Remove the assembly.

Fit new thermostat. Reassemble in reverse order.

Ensure that the phial is clipped to the oven back with the phial centrally positioned between the clips.

Ensure that the thermostat capillary is clamped to the oven back sheet with an earthing plate.

Check operation of thermostat.

Right-hand oven

From inside the right-hand oven unclip the thermostat phial, located on the right-hand side.

The oven thermostat capillary is clamped to the right hand rear upright with an earthing plate (**Fig. 9.9**). Remove the screw and plate.

Feed the thermostat capillary out of the oven. Disconnect wiring from thermostat. Remove the two screws holding thermostat to mounting panel. Fit new thermostat and reassemble in reverse order.

Ensure that the phial is clipped to the side of the oven with the phial centrally positioned between the clips.

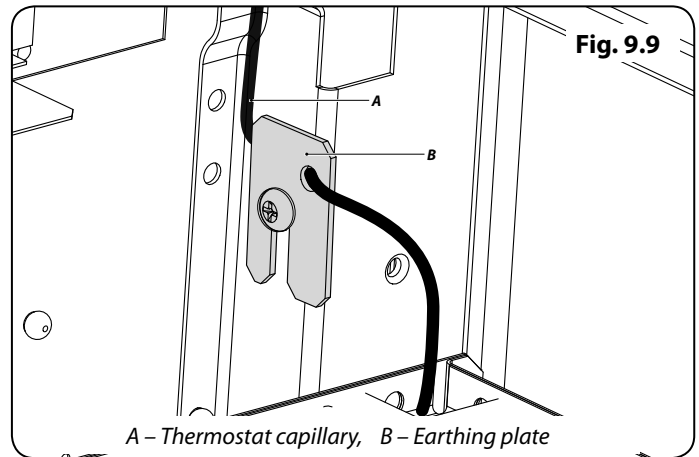
Ensure that the thermostat capillary is clamped to the right hand rear upright with an earthing plate.

Check operation of thermostat.

4.8 To Change the Protect Thermostat

From inside the right-hand oven unclip the thermostat phial, located on the left-hand side.

Follow the same procedure described above ('To Replace an Oven Thermostat' - 'Right-hand oven'), except the control is mounted on the cooker back, not the control panel.



WARNING – SERVICING TO BE CARRIED OUT ONLY BY AN AUTHORISED PERSON
Disconnect from electricity before servicing. Check appliance is safe when you have finished.

Fig. 9.10

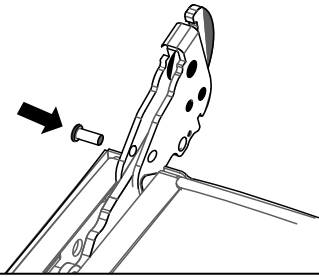


Fig. 9.11

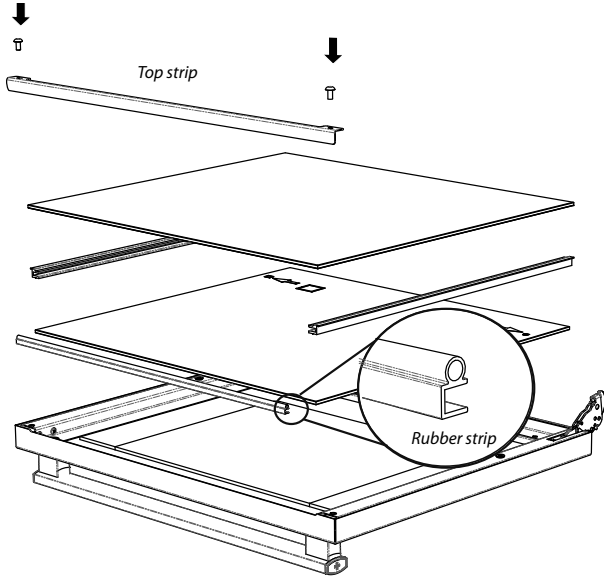


Fig. 9.12

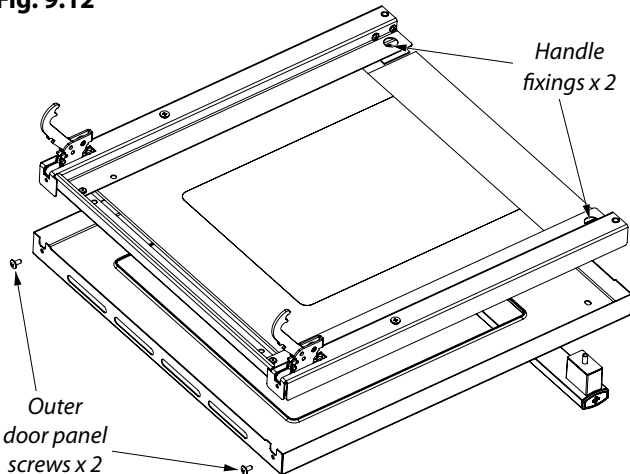
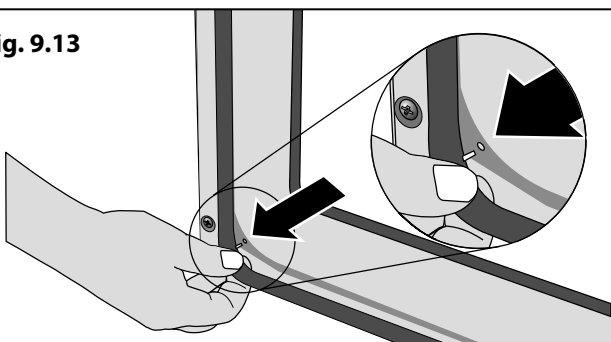


Fig. 9.13



5 Doors

5.1 To Replace an Oven Door

Open the oven door fully and place the supplied holding pins in the drop down hinges (**Fig. 9.10**).

Lift the door panel up and out.

Carefully fit the new door panel and push down gently to release the holding pins.

⚠ THE DOORS ARE HEAVY, SO TAKE CARE.

5.2 Oven Door Glass

The inner glass on both oven doors is replaceable.

Open the oven door fully and place the supplied holding pins in the drop down hinges (**Fig. 9.10**).

Lift the door panel up and out.

Remove the top 2 fixing screws using the Allen key supplied and the door top strip (**Fig. 9.11**). Then lift the 2 glass panels out.

To refit the door glass correctly, make sure that the printed circle and square on the glass, match up to the pressed holes of the same shape. This will ensure the heat reflective side is in the correct position, facing towards the oven.

Make sure that the rubber strips are all attached.

Carefully refit the door panel and push down gently to release the holding pins.

⚠ ENSURE THAT ALL PIECES OF BROKEN GLASS ARE REMOVED

5.3 To Replace an Oven Door Outer Panel

Open the oven door fully and place the supplied holding pins in the drop down hinges (**Fig. 9.10**).

Lift the door panel up and out.

Remove the top 2 fixing screws using the Allen key supplied and the door top strip (**Fig. 9.11**). Then lift the 2 glass panels out.

Remove the two nuts located on the inside of the door panel, to release the handle (**Fig. 9.12**).

Remove the two fixing screws located at the base of the oven door and remove the outer door panel (**Fig. 9.12**).

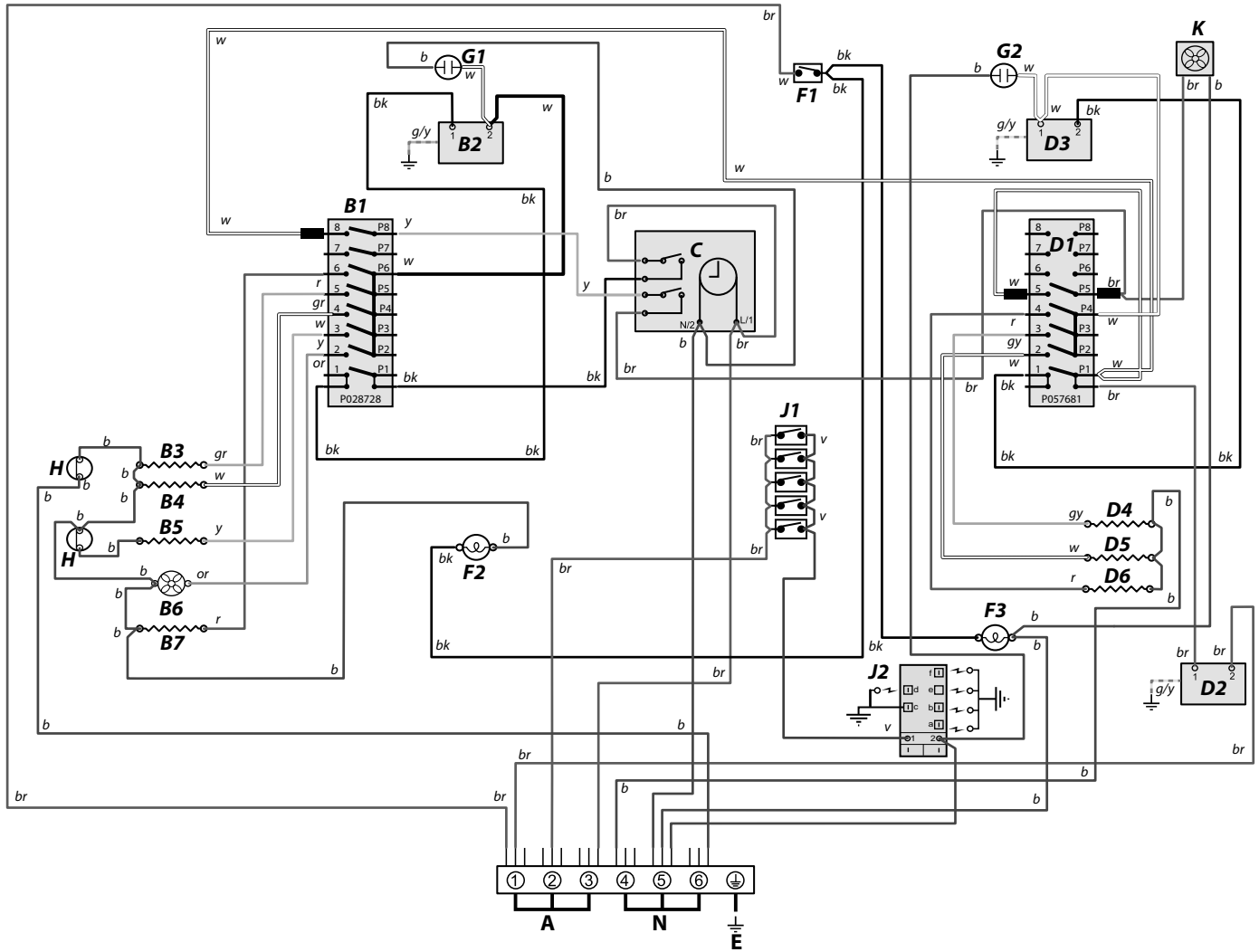
Reassemble in reverse order.

5.4 To Change an Oven Door Seal

Open the oven door. The seal is held in place by small hooks on the rear face. At the corner, pull the seal diagonally away from the door centre until that hook is released (**Fig. 9.13**). Proceed to the next hook and release it in a similar way, and so on. Use force if the hooks are stiff, as the old seal will be discarded.

When fitting the new seal, position the seal join at the bottom. Hook the new seal in one of the corner holes of the door, and proceed round the door, snapping in each hook in turn.

10. Circuit Diagram



Key

The connections shown in the circuit diagram are for single-phase. The ratings are for 230V 50Hz.

Code	Description
B1	Left-hand oven multi-function switch
B2	Left-hand oven multi-function oven thermostat
B3	Multifunction oven top element (outer pr.)
B4	Multifunction oven top element (inner pr.)
B5	Multifunction oven base element
B5	Multifunction oven fan
B7	Multifunction oven fan element
C	Clock
D1	Right-hand oven multi-function switch
D2	Right-hand oven protection thermostat
D3	Right-hand oven temperature thermostat
D4	Right-hand oven top element (outer)

Code	Description
D5	Right-hand oven top element (inner)
D6	Right-hand oven base element
F1	Light switch
F2	Left-hand oven light
F3	Right-hand oven light
G1	Left-hand oven neon
G2	Right-hand oven neon
H	Left-hand oven thermal cut-out
J1	Gas ignition switch
J2	Spark generator
K	Cooling fan

Code	Colour
b	Blue
br	Brown
bk	Black
or	Orange
r	Red
v	Violet
w	White
y	Yellow
g/y	Green/yellow
gr	Grey

11. Technical Data

This cooker is designed for use on Natural Gas, although a conversion for LP (LPG X Propane (2.54 kPa) gas is packed with the cooker.

INSTALLER: Please leave these instructions with the user.

DATA BADGE LOCATION: Cooker back. The serial number is repeated on the badge below the left-hand oven door opening.

COUNTRY OF DESTINATION: Australia.

Connection & Test Pressures

Gas (Rp ½ at rear right-hand side)		Electric
Natural gas	1 kPa	230V 50Hz
Propane	2.54 kPa	

See the appliance badge for test pressures.

Dimensions

Overall height	minimum 905 mm	maximum 930 mm
Overall width	994 mm	
Overall depth	604 mm (to fascia); 642 mm (over handles)	
Minimum height above the hotplate	650 mm	

Refer to 'Positioning the Cooker'.

Ratings

Hotplate	Bypass Screw*	Natural Gas 1.0 kPa			Propane 2.54 kPa		
		Input	Injector		Input	Injector	
			Marking	Size Ø		Marking	Size Ø
Wok burner	55	15.2 MJh ⁻¹	internal 88	0.88 mm	15.0 MJh ⁻¹	internal 57	0.57 mm
			external 168	1.68 mm		external 98	0.98 mm
Large burner	41	12.3 MJh ⁻¹	165	1.65 mm	12.0 MJh ⁻¹	89	0.96 mm
Medium burner	33	6.2 MJh ⁻¹	115	1.15 mm	6.2 MJh ⁻¹	67	0.68 mm
Small burner	25	3.7 MJh ⁻¹	92	0.92 mm	3.3 MJh ⁻¹	48	0.50 mm

Gas burner inputs based on Gross Calorific Value.

* The valves in this cooker are fitted with adjustable bypass screws. The cooker is supplied with the bypass screws set for Natural gas. For LPG conversion the bypass screws must be screwed all the way down.

Oven Efficiency

Ovens	Left-hand Oven	Right-hand Oven
	Multi-function	Multi-function
Maximum power output @ 230V 50Hz	2.5 kW	1.84 kW
Energy efficiency class on a scale of A (more efficient) to G (less efficient)	A	A
Energy consumption based on standard load	0.90 kWh	0.79 kWh
Usable volume (litres)	74	54
Size	Large	Medium
Time to cook standard load	41 minutes	44 minutes
Surface area of the grid	1400 cm ²	1056 cm ²

Maximum total electrical load at 230V (approximate total including oven lights, oven fan, etc.): 4.44 kW.



Notes

Cheminee Pty Ltd

Showroom: 118 Stanmore Rd, Stanmore NSW 2048

Telephone: 02 9564 2694

Email: sales@Cheminee.com.au www.Cheminee.com.au